

SUZUKI

OWNER'S MANUAL

WHEN ORDERING PARTS
BE SURE TO IDENTIFY
THIS MOTORCYCLE AS
GS1100GK2.

GS1100GK

IMPORTANT BREAK-IN INFORMATION FOR YOUR MOTORCYCLE

The first 1 000 miles (1 600 km) are the most important miles in the life of your motorcycle. Proper break-in operation during this time will help ensure maximum life and performance from your new motorcycle. Suzuki parts are manufactured of high quality materials, and machined parts are finished to close tolerances. Proper break-in operation allows the machined surfaces to polish each other and mate smoothly.

Vehicle reliability and performance depend on special care and restraint exercised during the break-in period. It is especially important that you avoid operating the engine in a manner which could expose the engine parts to excessive heat.

Please refer to the Break-In section for specific break-in recommendations.

FOREWORD

THANK YOU for choosing Suzuki. We at Suzuki have designed, tested and produced this motorcycle using the most modern technology available to provide you with many happy, enjoyable, safe miles of riding. Motorcycling is one of man's most exhilarating sports and to insure your riding enjoyment, you should become thoroughly familiar with the information presented in this Owner's Manual before riding the motorcycle.

The proper care and maintenance that your motorcycle requires is outlined in this manual. By following these instructions explicitly you will insure a long trouble free operating life for your motorcycle. This motorcycle also conforms to the U.S. Environmental Protection Agency emission regulations which apply to new motorcycles. The proper adjustment of engine components is necessary for this motorcycle to comply with the EPA regulations. Therefore, please follow the maintenance instructions closely to ensure emission compliance. Your Suzuki dealer has experienced technicians that are trained to provide your machine with the best possible service with the right tools and equipment.

SUZUKI MOTOR CO.,LTD.

IMPORTANT NOTICE

Please read this manual and follow its instructions carefully.

*To emphasize special information the words **WARNING**, **CAUTION** and **NOTE** carry special meanings and should be carefully reviewed.*

WARNINGThe personal safety of the rider may be involved. Disregarding this information could result in injury to the rider.

CAUTION.....These instructions point out special service procedures or precautions that must be followed to avoid damaging the machine.

NOTE**Special information to make maintenance easier or important instructions more clear.**

Copying, quoting or reproducing any part of this manual is not permitted without explicit approval by SUZUKI MOTOR CO.,LTD.

All information, illustrations and specifications contained in this manual are based on the latest product information available at the time of publication. Due to improvements or other changes, there may be some discrepancies in this manual.

Suzuki reserves the right to make changes at any time.

TABLE OF CONTENTS

Consumer Information	4
Accessory Installation and Precaution Safety Tips	4
Vehicle Stopping Distance	6
Safe Riding Recommendation For Motorcycle Riders	7
Serial Number Location	8
Location of Parts	9
Controls	10
Fuel and Oil Recommendation	21
Break-In	22
Inspection Before Riding	23
Riding Tips	24
Emission Information	27
Periodic Maintenance Schedule	28
Inspection and Maintenance	30
Troubleshooting	61
Storage Procedures	62
Specifications	64
Wiring Diagram	66
Emission Control Warranty	73

CONSUMER INFORMATION

ACCESSORY INSTALLATION AND PRECAUTION SAFETY TIPS

There are a great variety of accessories available to Suzuki owners. Suzuki can not have direct control over the quality or suitability of accessories you may wish to purchase. The addition of unsuitable accessories can lead to unsafe operating conditions. It is not possible for Suzuki to test each accessory on the market or combinations of all the available accessories; however, your dealer can assist you in selecting quality accessories and installing them correctly.

Use extreme caution when selecting and installing the accessories for your Suzuki. We have developed some general guidelines which will aid you when deciding whether, and how to equip your motorcycle.

- (1) Never exceed the GVWR (Gross Vehicle Weight Rating) shown on the V.I.N. plate attached to the steering stem frame tube. The GVWR is the combined weight of the motorcycle, rider, passenger, accessories and cargo. **When selecting additional accessories or when loading the motorcycle, bear in mind that the GVWR should not be exceeded. In addition, extra accessories or too heavy cargo may not only create an unsafe riding condition, but may also affect steering ease.**

GVWR—GS1100GK: 1105 lbs (501 kg) at the tire pressure (cold):
Front 28 psi (2.0 kg/cm²), Rear 40 psi (2.8 kg/cm²)

- (2) Anytime that additional weight or aerodynamic affecting accessories are installed, they should be mounted as low as possible as close to the motorcycle and as near the center of gravity as is feasible. The mounting brackets and other attachment hardware should be carefully checked to ensure that it provides for a rigid, non-moveable mount. Weak mounts can allow the shifting of the weight and creat a dangerous, unstable condition.
- (3) Inspect for proper ground clearance and bank angle. An improperly mounted load could critically reduce these two safety factors. Also determine that the "load" does not interfere with the operation of the suspension, steering or other control operations.

- (4) Accessories fitted to the handlebars or the front fork area can create serious stability problems. This extra weight will cause the motorcycle to be less responsive to your steering control. The weight may also cause oscillations in the front end and lead to instability problems. Accessories added to the handlebar or front fork of the machine should be as light as possible and kept to a minimum.
- (5) Accessories with a large surface area may affect the stability of the motorcycle due to their aerodynamic effects. Improperly mounted or designed accessories can result in an unsafe riding condition. Therefore, caution should be used when selecting and installing all accessories.
- (6) Certain accessories displace the rider from his normal riding position. This limits the freedom of movement of the rider and may limit his control ability.
- (7) Additional electrical accessories may overload the existing electrical system. Severe overloads may damage the wiring harness or create a dangerous situation due to the loss of electrical power during the operation of the motorcycle.

When carrying a load on the motorcycle, mount it as low as possible and as close as possible to the machine. An improperly mounted load can create a high center of gravity which is very dangerous and makes the motorcycle difficult to handle. The size of the "load" can also affect the aerodynamics and handling of the motorcycle. Balance the load between the left and right side of the motorcycle and fasten it securely.

MODIFICATION

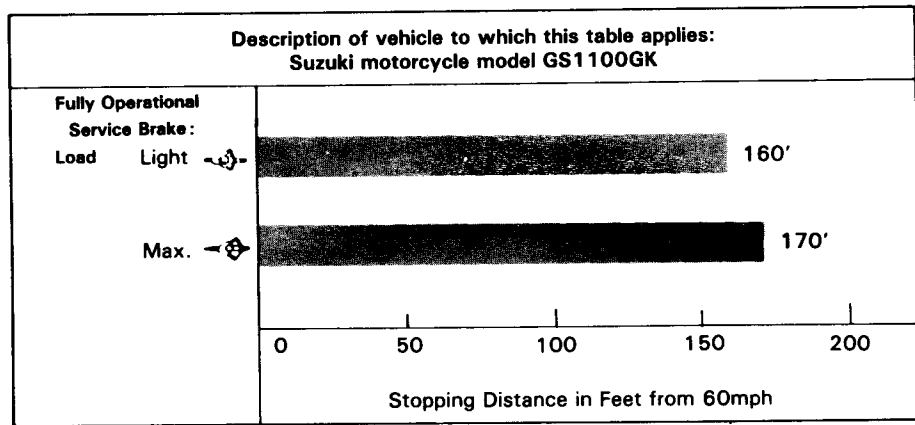
WARNING:

Modification of the motorcycle, or removal of original equipment may render the vehicle unsafe or illegal. Obay all applicable equipment regulations in your area.

VEHICLE STOPPING DISTANCE

This figure indicates braking performance that can be met or exceeded by the vehicle to which it applies under different conditions of loading.

NOTICE: The information presented represents results obtainable by skilled drivers under controlled road and vehicle conditions, and the information may not be correct under other conditions.



SAFE-RIDING RECOMMENDATION FOR MOTORCYCLE RIDERS

Motorcycle riding is great fun and an exciting sport. Motorcycle riding also requires that some extra precautions be taken to ensure the safety of the rider and passenger. These precautions are:

WEAR A HELMET

Motorcycle safety equipment starts with a quality safety helmet. One of the most serious injuries that can happen is a head injury. ALWAYS wear a properly approved helmet. You should also wear suitable eye protection.

RIDING APPAREL

Loose fancy clothing can be uncomfortable and unsafe when riding your motorcycle. Choose good quality motorcycle riding apparel when riding your motorcycle.

INSPECTION BEFORE RIDING

Review thoroughly the instructions in the "INSPECTION BEFORE RIDING" section of this manual. Do not forget to perform an entire safety inspection to ensure the safety of the rider and its passenger.

FAMILIARIZE YOURSELF WITH THE MOTORCYCLE

Your riding skill and your mechanical knowledge form the foundation for safe riding practices. We suggest that you practice riding your motorcycle in a non-traffic situation until you are thoroughly familiar with your machine and its controls. Remember practice makes perfect.

KNOW YOUR LIMITS

Ride within the boundaries of your own skill at all times. Knowing these limits and staying within them will help you to avoid accidents.

BE EXTRA SAFETY CONSCIOUS ON BAD WEATHER DAYS

Riding on bad weather days, especially wet ones, requires extra caution. Braking distances double on a rainy day. Stay off of the painted surface marks, manhole covers and greasy appearing areas as they can be especially slippery. Use extreme caution at railway crossings and on metal gratings and bridges. Whenever in doubt about road conditions, slow down!

MOTORCYCLE SAFETY FOUNDATIONS "RIDING TIPS FOR THE MOTORCYCLIST" HANDBOOK

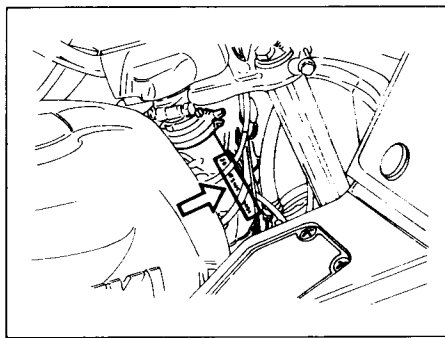
This special manual, supplied in the pouch with your Owner's Manual, contains safety tips on a wide variety of topics. This manual can increase your riding enjoyment and safety and should be read thoroughly.

SERIAL NUMBER LOCATION

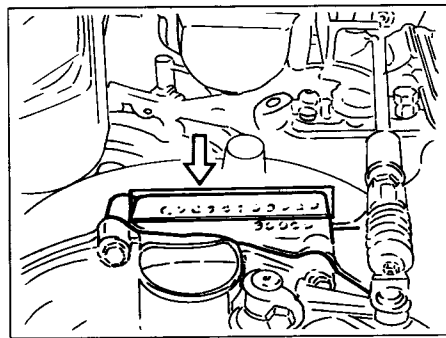
The frame and/or engine serial numbers are used to register the motorcycle. They are also used to assist your dealer when ordering parts or referring to special service information;

The frame number is stamped on the steering head tube and V.I.N. plate. The engine serial number is stamped on the right side of the crankcase assembly.

Please write down the numbers here for your reference.



Frame number

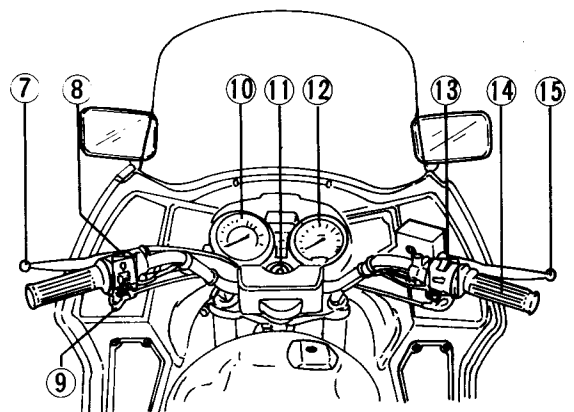
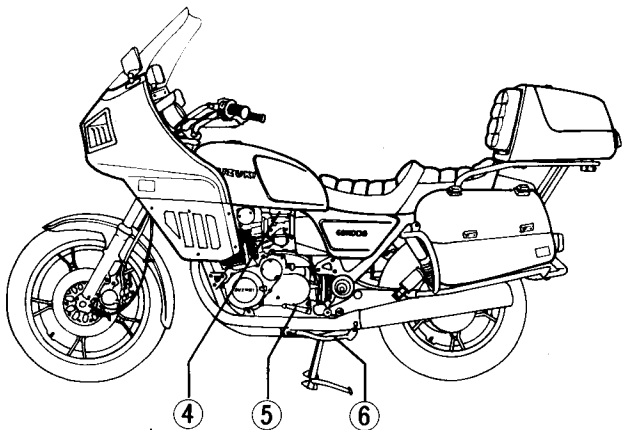
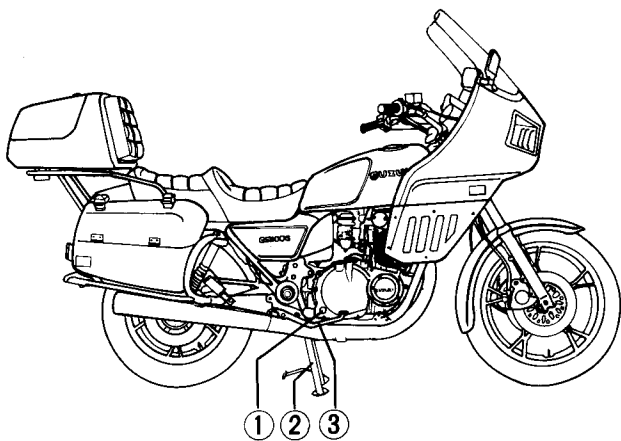


Engine number

Frame No.:

Engine No.:

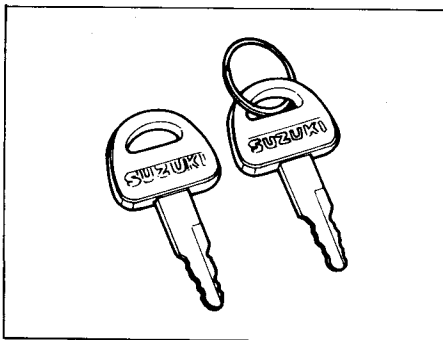
LOCATION OF PARTS



- | | |
|----------------------------------|-----------------------------|
| (1) Engine oil inspection window | (8) Left handlebar switch |
| (2) Center stand | (9) Carburetor choke lever |
| (3) Rear brake pedal | (10) Speedometer |
| (4) Fuelcock | (11) Ignition switch |
| (5) Gearshift lever | (12) Tachometer |
| (6) Side stand | (13) Right handlebar switch |
| (7) Clutch lever | (14) Throttle grip |
| | (15) Front brake lever |

CONTROLS

KEY

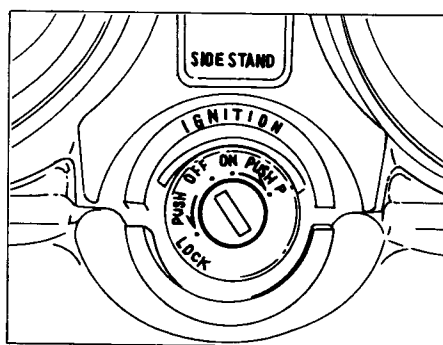


This motorcycle comes equipped with two identical keys. Keep the spare key in a safe place.

Your motorcycle ignition keys are stamped with an identifying number. This number is used when making replacement keys. Please write your key number in the box provided for your future reference.

KEY NO.:

IGNITION SWITCH



The ignition switch has four (4) positions:

"OFF" POSITION

All electrical circuits are cut off.

"ON" POSITION

The ignition circuit is completed and the engine can now be started. The headlight and taillight will automatically be turned on when the key is in this position. The key cannot be removed from the ignition switch in this position.

"PARKING" POSITION ("P" POSITION)

When parking the motorcycle, turn the handlebar all the way to the right or to the left. Push down and turn the key to

the parking position. The key can now be removed and the taillight will remain lit and the steering will be locked. This position is for night time roadside parking to increase visibility.

"LOCK" POSITION

To lock the steering, turn the handlebar all the way to the right or the left. Push down and turn the key to the "LOCK" position and remove the key. All electrical circuits are cut off.

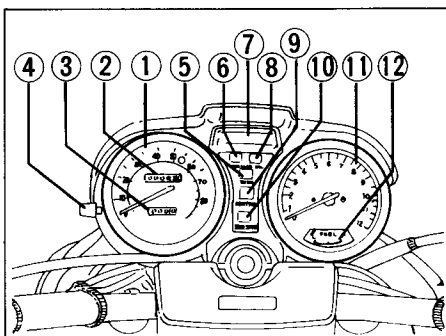
CAUTION:

Start the engine promptly after turning the ignition key to the "ON" position. The reason for this is that the headlight and taillight come on at the same time the ignition is turned on and will cause the battery to lose power.

WARNING:

Before turning the ignition switch to the (P) "PARK" or "LOCK" position, stop the motorcycle and place the motorcycle on either the side stand or the center stand.

INSTRUMENT PANEL



SPEEDOMETER (1)

The speedometer indicates the road speed in miles per hour and kilometers per hour.

ODOMETER (2)

The odometer registers the total distance that the motorcycle has been ridden.

TRIP METER (3)

The trip meter is a resettable odometer located in the speedometer assembly. It can be used to indicate the distance traveled on short trips or between fuel stops. Turning the knob (4) counter-clockwise will return the meter to zero.

TURN SIGNAL INDICATOR LIGHT (5)

When the turn signals are being operated either to the right or left side, the amber indicator light will flash.

HIGH BEAM INDICATOR LIGHT (6)

The blue indicator light will be lit when the headlight high beam is turned on.

GEAR POSITION INDICATOR (7)

The numeral in this indicator shows the gear position, 1, 2, 3, 4, or 5. The numeral disappears as you shift back to neutral; NEUTRAL INDICATOR LIGHT (green) will burn instead.

OIL PRESSURE INDICATOR LIGHT (8)

With the ignition switch in the "ON" position but the engine not started, the oil pressure indicator light should be lit. As soon as the engine is started, the light should go out.

CAUTION:

Whenever the oil pressure indicator lights up, indicating no oil pressure, stop the engine immediately. First check the oil level and determine if the proper amount of oil is in the engine. If the oil level is low, refill the

engine to the correct level. If the light still does not go out, then have your authorized Suzuki dealer inspect your motorcycle to determine the difficulty. Do not operate the motorcycle when the light is lit as it may cause serious damage to the internal parts of the engine or transmission.

NEUTRAL INDICATOR LIGHT (9)

The green light will come on when the transmission is in neutral. The light will go out when you shift into any gear other than neutral.

SIDE STAND CHECK LIGHT (10)

With the ignition switch in the "ON" position but the engine not started, the side stand check light should be lit. As soon as the engine is started and after kicking up the side stand check light should be go out.

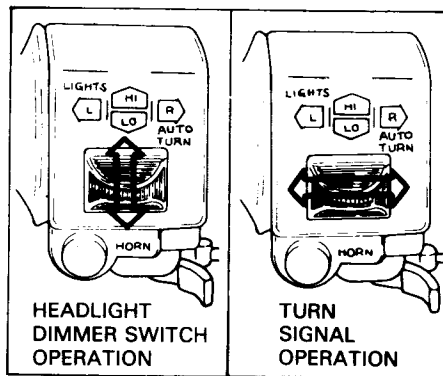
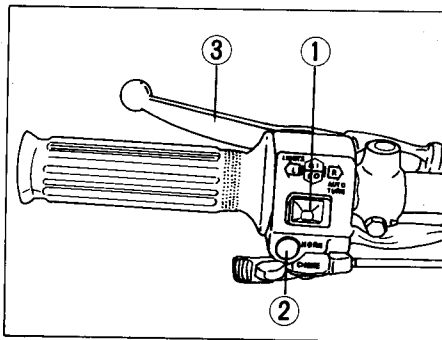
TACHOMETER (11)

The tachometer indicates the engine speed in revolutions per minute (RPM).

FUEL GAUGE (12)

The fuel gauge indicates the amount of gasoline remaining in the fuel tank. The "E" mark indicates the tank is empty or nearly so. The "F" mark indicates the fuel tank is full.

LEFT HANDLEBAR



LIGHTS OPERATING SWITCH (1)

Dimmer operating

When the lights operating switch is pushed up to the "HIGH" position, the high beam will be lit and the switch return to the center position. At the same time that the high beam is lit, the high beam indicator will also light in the center instrument panel. When the switch is pushed down to the "LO" position, the low beam will be lit and the switch return to the center position.

Turn signal operating

Pushing the lights operating switch to the right or left lights up the right-hand or left-hand turn signal respectively, in that order. Returning the switch to center position puts out the signal, but you need not do so since a self-cancelling device is provided on the machine. After running for approx. 10 seconds total with a speed of 15 km/h or higher after switching on a turn signal, the cancelling device automatically turns off the light switch. The cancelling device works like a timer, but any duration below this speed is not counted.

WARNING:

Always use the turn signal when you intend to change lanes or make a turn.

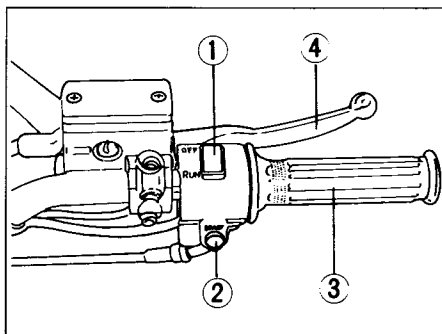
HORN BUTTON (2)

Press the button to operate the horn.

CLUTCH LEVER (3)

The clutch lever is used to disengage the drive to the rear wheel when starting the engine or shifting the transmission gear. Squeezing the lever disengages the clutch.

RIGHT HANDLEBAR



ENGINE KILL SWITCH (1)

The engine "kill switch" is located on the top of the right handlebar grip switch housing. This is a "rocker" style switch which pivots in the center.

In the "RUN" position the ignition circuit is on and the engine will operate. The switch is intended primarily as a safety or emergency switch. When the switch is in the "OFF" position neither the starter motor nor the ignition circuit will be energized.

ELECTRIC STARTER BUTTON (2)

Push the electric starter button in to engage the starter motor. The transmission should be in neutral for safety and the clutch disengaged during starting.

NOTE: The starter interlock switch is equipped on this motorcycle. If the clutch lever is not disengaged, the starter motor will not rotate.

CAUTION:

Do not engage the starter motor for more than five (5) seconds at a time as it may overheat the wiring harness and starter motor. If the engine does not start after several attempts, check the fuel supply and ignition systems. (Refer to the TROUBLESHOOTING section.)

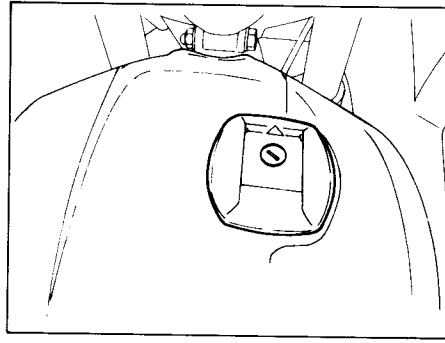
THROTTLE GRIP (3)

Engine speed is controlled by the position of the throttle grip. Twist it toward you to increase engine RPM's. Turn it away from you to decrease the engine RPM's.

FRONT BRAKE LEVER (4)

The front brake is applied by squeezing the brake lever gently towards the throttle grip. This motorcycle is equipped with a disc brake and excessive pressure is not required to slow the machine down properly. The brake light will be lit when the lever is squeezed inward.

FUEL TANK CAP

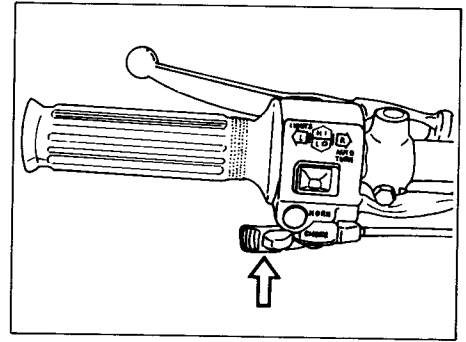


The fuel tank cap is a new low profile style which blends in smoothly with the lines of the fuel tank. To open the fuel tank cap insert the ignition key and turn the key clockwise. With the key still held in a clockwise position, lift up on the key and remove the filler cap. To install the fuel tank cap, face the arrow mark forward, simply line up the fuel tank cap guide pins and push down until the locking pins click into position. The key must be in the cap lock or turned before installing cap. Turn the key counter-clockwise and remove it.

WARNING:

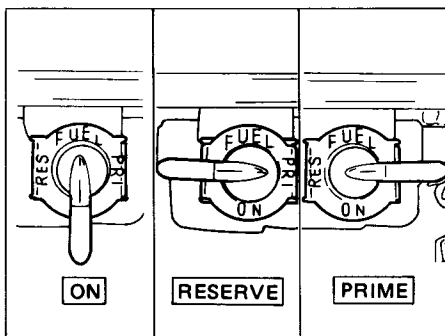
When re-fueling, always shut the engine off and turn the ignition key to the "OFF" position. Never refuel near an open flame.

CARBURETOR CHOKE LEVER



The carburetors are equipped with a "choke" system to provide easy starting. When starting a cold engine, turn the choke lever all the way left and engage the electric starter. After the engine starts, try to limit the engine RPM to approximately 2 500 r/min by varying the choke lever position. The choke system will operate only when the throttle is in the closed position as opening the throttle will bypass the choke system. When the engine is warm, the choke system does not need to be used for starting. Always be certain to push the choke lever back to its normal position after the engine reaches normal operating temperature.

FUELCOCK



This motorcycle is equipped with an automatic type, diaphragm style fuelcock. There are three (3) positions: "ON", "RESERVE" and "PRIME".

"ON" The normal position for the fuelcock lever is on the "ON" position. In this position, no fuel will flow from the fuelcock to the carburetors unless the engine is running or being started.

"RESERVE"

If the fuel level in the tank is too low, turn the lever to the "RESERVE" position to use the 4.2 liters (4.4 US qt) of the reserve fuel supply. In this position, no fuel will flow from the

fuelcock to the carburetors unless the engine is running or being started.

"PRIME"

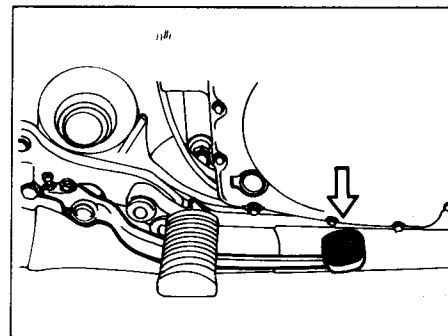
If the motorcycle has run out of fuel or has been stored for an extended period, there may not be any gasoline in the carburetors. In this instance the fuelcock lever should be moved to the "PRIME" position. This will allow the fuel to flow directly into the carburetors even though the engine is not operating. Upon starting the engine, be sure to return the lever to the "ON" position or, if necessary, to the "RESERVE" position.

CAUTION:

Leaving the fuelcock in the "PRIME" position may cause the carburetors to overflow and fuel to run into the engine. It is possible that this may cause severe mechanical damage when the engine is started.

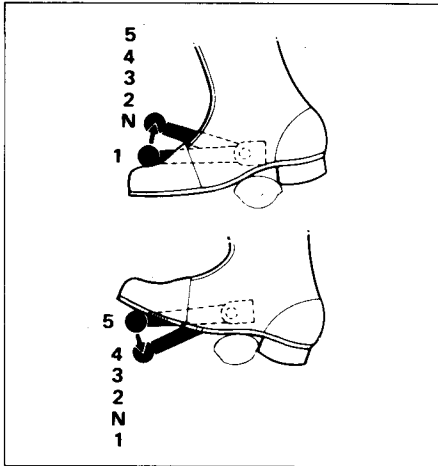
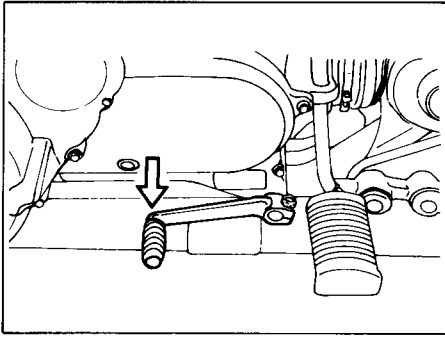
NOTE: After switching the fuel tank supply to the "RESERVE" position, it is advisable that the tank be refilled at the closest gas station. After re-fueling, be sure to move the fuelcock to the "ON" position.

REAR BRAKE PEDAL



Depressing the rear brake pedal will apply the rear disc brake. The brake light will be illuminated when the rear brake is operated.

GEARSHIFT LEVER



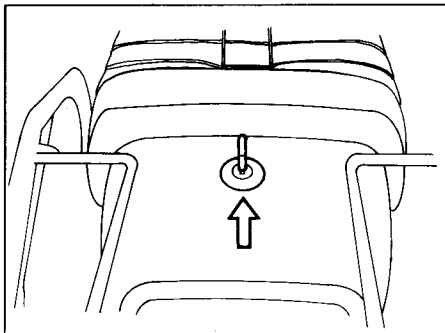
This motorcycle is equipped with a 5 speed constant mesh transmission which operates as shown in the figure. The shift lever is attached to a ratchet type mechanism in the transmission. Each time that a gear is selected, the gear shift lever will return to its normal position ready to select the next gear. Neutral is located between low and 2nd gear. Low gear is engaged by depressing the lever downward from the neutral position. Shifting into the higher gears is accomplished by lifting up on the shift lever once for each gear. It is not possible to up shift or down shift more than one gear at a time due to the ratchet mechanism being used. When shifting from low to 2nd gear or 2nd gear to low, neutral will be automatically skipped. When neutral is desired, depress or lift the lever to a position halfway between low and 2nd gear.

Reduce your road speed before downshifting. When down shifting, the engine speed's should be increased before the clutch is engaged. This will prevent unnecessary wear on the drivetrain components and rear tire.

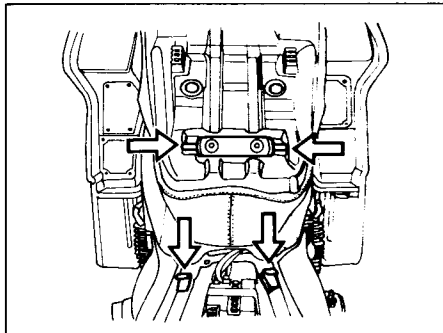
CAUTION:

When the transmission is in neutral the green indicator light on the instrument panel will be lit. However, even though the light is illuminated, cautiously release the clutch lever slowly to determine whether the transmission is positively in neutral.

SEAT LOCK



The seat lock is located behind the seat. To remove the seat, insert the ignition key clockwise until the lock is released. Raise and slide back the seat by hand and unhook the seat hooks from the seat holding hooks. To lock the seat, hook the seat hooks into the seat holding hooks certainly and push down firmly.

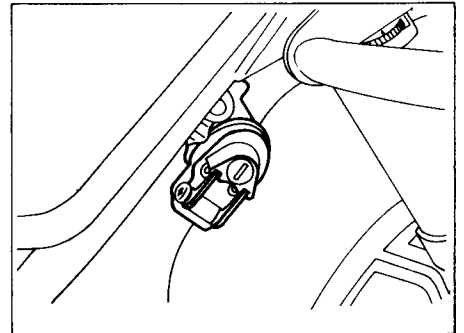


Seat hooks

WARNING:

Whenever you reinstall the seat, pull up on it firmly to be certain it is securely latched. If the seat is not latched securely, it may come loose and cause loss of rider control.

HELMET HOLDER

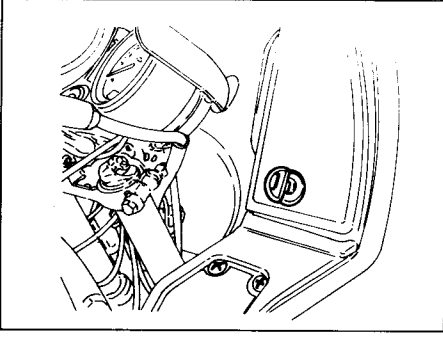


The helmet holder is located under the left side of the seat. Insert the key, and twist it clockwise to open one of the latches and twist it counterclockwise to open the other side of the latches. Hook your helmet fastener ring to the latch and return back the latch to the closed position to lock the holder.

WARNING:

Do not operate the motorcycle with a helmet fastened to the helmet holder. The helmet may be caught in the wheel causing an accident, or interfere with safe operation of the motorcycle.

FAIRING AND GLOVE BOX



To remove the glove box lid, insert the ignition key, turn it clockwise and pull the lid. To attach the lid, slide the front end of the lid over the fairing and push the rear end down.

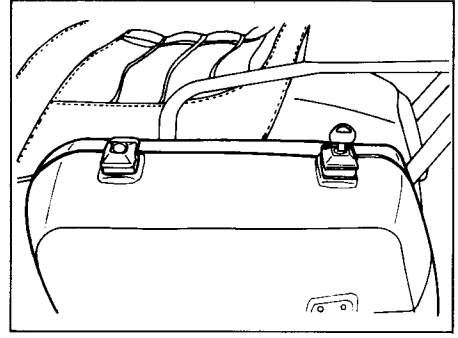
WARNING:

Do not open the glove box lid while riding the motorcycle.

WARNING:

The strage components in this fairing are desined for the light weight items only. The total combined weight of accessories and cargo carried in this fairing is 4.6 kg (10 lbs). Before riding always check suspension settings, tire pressure and condition and loading as explained in this manual. Do not place any items between the fairing and the motorcycle as they may interfere with steering. Do not modify this fairing in any way which could degrade performance, durability or safety. Check with your authorized Suzuki dealer before attempting any modifications. This fairing is designed only for this motorcycle. Do not use on any other motorcycle.

SADDLE BAGS AND TRAVEL TRUNK



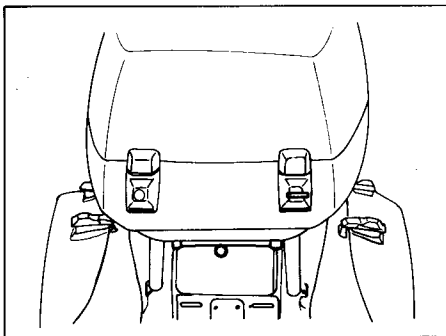
Saddle bag

To open the saddle bag and travel trunk lid:

Insert the ignition switch key into each latch and unhook by turning the key counterclockwise. Open both latches.

To close the saddle bag and travel trunk lid:

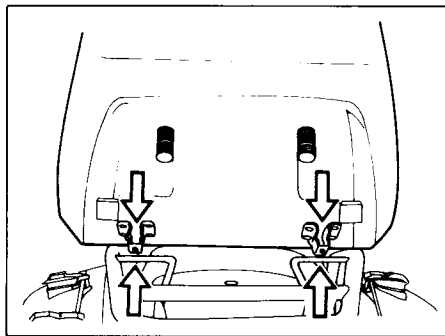
Close both latches. Insert the ignition key into each latch and lock by turning the key clockwise. Remove the key.



Travel trunk

To remove the travel trunk:

Insert the ignition switch key into the trunk holder and turn it counterclockwise. Push the trunk slightly forward and remove it.



Travel trunk holder

To attach the travel trunk:

Hook the travel trunk hooks located under the travel trunk and the luggage rack. Push the rear of the trunk down to lock the travel trunk securely.

WARNING:

The total combined weight of the rider, passenger, motorcycle, accessories and cargo must not exceed the GVWR (Gross Vehicle Weight Rating) shown on the label attached to the steering stem frame tube and CONSUMER INFORMATION section in this manual. Maximum capacity ratings of this motorcycle accessories:

Luggage Rack (Without travel trunk)

9 kg (20 lbs)

Travel trunk

9 kg (20 lbs)

Saddle bags (each side)

9 kg (20 lbs)

Cargo weight should be mounted securely, low and as close to the center of the motorcycle as possible. Cargo should be balanced equally on each side. Read the Accessory Installation Precaution Safety Tips, Tire and Front and Rear Suspension sections of this manual.

WARNING:

When carrying a load, do not exceed a maximum speed of 80 mph (130 km/h). This 80 mph (130 km/h) limit may be reduced by overloading or improper loading of cargo in the saddle bags and/or travel trunk. Adverse weather, poor roads, worn tires and overall motorcycle condition may reduce this limit even further.

Travel trunk and saddle bags are designed only for this motorcycle. Do not modify the luggage rack, travel trunk and saddle bags in any way which could affect performance, durability. Check with your authorized Suzuki dealer before attempting any modifications.

FUEL AND OIL RECOMMENDATIONS

FUEL

Use only unleaded or low-lead type gasoline of at least 85–95 pump octane ($\frac{R+M}{2}$ method) or 89 octane or higher rated by the Research method. If engine pinging is experienced, substitute another brand as there are differences between brands.

NOTE: Unleaded and low-lead gasoline will extend spark plug life.

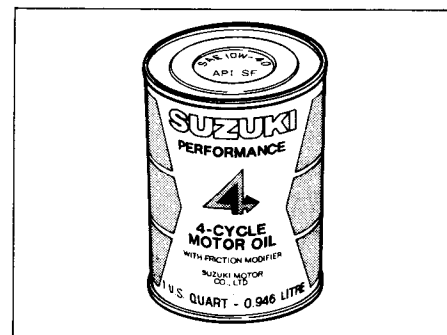
GEAR OIL

Use an SAE 90 hypoid gear oil which is rated GL-5 under the API classification system. If you operate the motorcycle where ambient temperature is below 0°C (32°F), use an SAE 80 hypoid gear oil.

ENGINE OIL

SUZUKI recommends the use of **SUZUKI PERFORMANCE 4 MOTOR OIL** or an oil which is rated SE or SF under the API (American Petroleum Institute) classification system.

The viscosity rating should be SAE 10W-40. If an SAE 10W-40 oil is not available, select an alternate according to the chart below.



This is a very high performance, SAE 10W-40 SF oil with special friction modifier added.

SAE	40								
	30								
	20W-50								
	10W-50								
	10W-30								
	20W								
	10W								
Temperature	°C	-20	-10	0	10	20	30	40	
	°F	-4	14	32	50	68	86	104	

The foreword explains how important proper break-in is to achieving maximum life and performance from your new Suzuki. The following guidelines explain proper break-in procedures.

MAXIMUM ENGINE RPM RECOMMENDATIONS

This table shows the maximum recommended engine rpm during the break-in period.

Initial 500 miles (800 km)	Below 4 000rpm
Up to 1 000 miles (1 600 km)	Below 6 000rpm
Over 1 000 miles (1 600 km)	Below 9 000rpm

VARY THE ENGINE SPEED

The engine speed should be varied and not held at a constant speed. This allows the parts to be "loaded" with pressure, and then unloaded, allowing the parts to cool. This aids the mating process of the parts.

It is essential that some stress be placed on the engine components during break-in to ensure this mating process. Do not, though, apply excessive load on the engine.

AVOID CONSTANT LOW SPEED

Operating the engine at constant low speed (light load) can cause parts to glaze and not seat in. Allow the engine to accelerate freely through the gears, without exceeding the recommended maximum limits. Do not, however, use full throttle for the first 1 000 miles (1 600 km).

ALLOW THE ENGINE OIL TO CIRCULATE BEFORE RIDING

Allow sufficient idling time after warm or cold engine start up before applying load or revving the engine. This allows time for the lubricating oil to reach all critical engine components.

OBSERVE YOUR FIRST, AND MOST CRITICAL, SERVICE

The 600 miles (1 000 km) service is the most important service your motorcycle will receive. During break-in all of the engine components will have worn in and all of the other parts will have seated in. All adjustments will be restored, all fasteners will be tightened, and the dirty oil and oil filter will be replaced.

Timely performance of the 600 miles service will ensure optimum service life and performance from the engine.

CAUTION:

The 600 miles service should be performed as outlined in the Periodic Maintenance Schedule portion of this Owner's Manual. Pay particular attention to the cautions and warning in page 28.

INSPECTION BEFORE RIDING

Before riding the motorcycle, be sure to check the following items. Never underestimate the importance of these checks and perform all of them before riding the machine.

WHAT TO CHECK	CHECK FOR:	
Steering	1) Smoothness 3) No play or looseness	2) No restriction of movement
Brakes	1) Corrected pedal and lever play 3) No cracks or cuts	2) No "sponginess" 4) No dragging
Fuel	Enough fuel for the planned distance of operation	
Tires	1) Correct pressure 3) No cracks or cuts	2) Adequate tread depth
Lighting	Operation of all lights - HEADLIGHT, TAILLIGHT, BRAKE LIGHT, LICENSE PLATE LIGHT, INSTRUMENT LIGHTS, TURN SIGNALS	
Indicator Lights	Oil pressure, High beam, Neutral, Turn signal, Side stand	
Horn and "Kill Switch"	Correct function	
Engine Oil	Correct level	
Throttle	1) Correct play in the throttle cable	2) Smooth operation and positive return of the throttle grip to the closed position
Clutch	1) Correct play in the cable	2) Smooth and progressive action
Air suspensions	1) Smooth movement	2) Recommended air pressure for type of usage.

STARTING THE ENGINE

Check that the fuelcock lever is in the "ON" position and that the engine kill switch is in the "RUN" position. Insert the ignition key into the ignition switch and turn it clockwise one notch to the "ON" position. The neutral indicator light will light if the transmission is in neutral.

CAUTION:

Always start the engine with the transmission in neutral, the clutch lever pulled in, and the rider in the normal riding position.

When the engine is cold:

Turn the carburetor choke lever to the engaged position. Close the throttle completely. Push the electric starter button and the engine will start. Immediately after the engine starts, keep the engine revolutions to a maximum of 2 500 r/min by using the choke knob position for throttle control. Return the choke knob all the way back to its normal disengaged position approximately 50 seconds after the engine starts. In extremely cold weather it may be necessary to use the choke longer than 50 seconds.

When the engine is warm:

Open the throttle 1/8th to 1/4th turn and push the electric starter button. Operation of the carburetor choke system is usually not necessary when the engine is warm.

WARNING:

Do not run the engine indoors where there is little or no ventilation available. Carbon monoxide fumes are extremely poisonous. Never leave the motorcycle running while unattended, even for a moment.

STARTING OFF

Pull the clutch lever in and pause momentarily. Engage first gear by depressing the gear shift lever downward. Twist the throttle grip toward you and at the same time release the clutch lever gently and smoothly. As the clutch engages, the motorcycle will start moving forward. To shift to the next higher gear, accelerate gently, then close the throttle and pull the clutch lever in simultaneously. Lift the gear shift lever upward to select the next gear and release the clutch lever and open the throttle again. Select the gears in this manner until top gear is reached.

USING THE TRANSMISSION

The transmission is provided to keep the engine operating smoothly in its normal operating rpm range. The gear ratios have been carefully chosen to meet the characteristics of the engine. The rider should always select the most suitable gear for the prevailing conditions. Never slip the clutch to control road speed, but rather downshift to allow the engine to run within its normal operational range. The table below shows the gear shifting schedule.

SHIFTING SCHEDULE

Shifting schedule

1st	0 to 20 km/h (0 to 12 miles/h)
2nd	20 to 30 km/h (12 to 19 miles/h)
3rd	30 to 40 km/h (19 to 25 miles/h)
4th	40 to 50 km/h (25 to 31 miles/h)
5th	Over 50 km/h (Over 31 miles/h)

Shifting down point

From 5th to 4th	30 km/h (19 miles/h)
-----------------	----------------------

* Disengage the clutch when the motorcycle speed drops below 20 km/h (12 miles/h).

RIDING ON HILLS

- When climbing steep hills, the motorcycle may begin to slow down and "lug" the engine excessively. At this point you should shift to a lower gear so that the engine will again be operating in its normal power range. Shift rapidly to prevent the motorcycle from losing momentum.
- When riding down a hill, the engine may be used for braking by shifting to a lower gear.
- Be careful, however, not to allow the engine to over rev.

WARNING:

- (1) If this is the first time that you have ridden a machine of this type, we suggest that you practice on a non-public road to become thoroughly familiar with the controls and operation of the motorcycle.
- (2) Before starting off, always return the side stand to its full "up" position.
- (3) Slow down to a safe speed before negotiating a corner.
- (4) Don't down shift in the midst of cornering.
- (5) One-hand riding is extremely dangerous. Keep both hands firmly on the handlebars and both feet securely on the foot rests. Under no circumstances should both hands be removed from the handlebars.

USING THE BRAKES AND PARKING

- Twist the throttle grip away from yourself to close the throttle completely.
- Apply the front and rear brakes evenly and at the same time.
- Downshift through the gears as road speed decreases.
- Disengage the clutch when speed drops below 20 km/h (12 miles/h).
- Select neutral with the clutch lever squeezed towards the grip (disengaged position) just before the motorcycle stops. Neutral position can be confirmed by observing the neutral indicator light.

NOTE: Inexperienced riders tend to use the rear brake only. This can lead to premature brake wear and excessive stopping distances.

WARNING:

Using only the front or rear brake is dangerous and can cause skidding and loss of control. Apply the brakes lightly and with great care on a wet highway pavement or other slippery surfaces and at all corners. Any abrupt braking on slippery or irregular roads can be particularly dangerous.

- If the motorcycle is to be parked on the side stand and on a slight slope, you may wish to leave the motorcycle in 1st gear to prevent it from rolling off of the side stand. Return to neutral before starting engine.
- Turn the ignition switch to the "OFF" position to stop the engine.
- Lock the steering for security.
- Remove the ignition key from the switch.


EMISSION INFORMATION

EPA

MAINTENANCE, REPLACEMENT OR REPAIR OF THE EMISSION CONTROL DEVICES AND SYSTEMS MAY BE PERFORMED BY ANY MOTORCYCLE REPAIR ESTABLISHMENT OR INDIVIDUAL USING ANY MOTORCYCLE PART WHICH HAS BEEN CERTIFIED UNDER THE PROVISIONS IN THE CLEAN AIR ACT Sec. 207 (a)(2).

COMPLIANCE LABEL

The EPA compliance label is located on the rear fender. It provides much of the data required to perform an engine tune up on your GS1100GK.

VEHICLE EMISSION CONTROL INFORMATION
SUZUKI MOTOR CO., LTD.  DISPLACEMENT: 1,074 cc
ENGINE FAMILY NAME: CSK107444G7 SUZUKI: GS110G
EXHAUST EMISSION CONTROL SYSTEM: ENGINE MODIFICATION
ENGINE TUNE-UP SPECIFICATIONS: ALL ADJUSTMENTS ARE TO BE PERFORMED WITH TRANSMISSION IN NEUTRAL.

VALVE LASH: 0.03-0.08 mm
IGNITION TIMING: 17° BTDC AT IDLE SPEED.
IDLE SPEED: 1,050 RPM ADJUSTMENT IS MADE BY TURNING THE THROTTLE STOP SCREW.
IDLE AIR/FUEL: NO ADJUSTMENT IS NECESSARY.
FUEL: LOW-LEADED OR UNLEADED GASOLINE

ENGINE OIL: SF OR SE IN API CLASSIFICATION, AND VISCOSITY RATING OF SAE 10W-40
REFER TO YOUR OWNER'S MANUAL FOR ADDITIONAL MAINTENANCE INSTRUCTIONS.

THIS VEHICLE CONFORMS TO U.S. EPA AND CALIFORNIA REGULATIONS APPLICABLE TO 1982 MODEL YEAR NEW MOTORCYCLES.

PERIODIC MAINTENANCE SCHEDULE

MAINTENANCE SCHEDULE

The chart indicates the intervals between periodic services in miles (kilometers) and months. At the end of each interval, be sure to inspect, check, lubricate and service as instructed. If your motorcycle is used under high stress conditions such as continuous full throttle operation, or is operated in a dusty climate, certain services should be performed more often to insure reliability of the machine as explained in the maintenance section. Your Suzuki dealer can provide you with further guidelines. Steering components, suspension and wheel components are key items and require very special and careful servicing. For maximum safety we suggest that you have these items inspected and serviced by your authorized Suzuki dealer or a qualified service mechanic.

WARNING:

Proper break-in maintenance (600 miles or 1 000 km) is a **MANDATORY** item for making certain that your machine is reliable and gives full performance at all times. Be sure that this periodic maintenance is performed thoroughly and in accordance with the instructions in this manual.

CAUTION:

Periodical inspections may reveal one or more parts that may need replacement. Whenever replacing parts on your motorcycle, it is recommended that you use Genuine Suzuki replacement parts or their equivalent. Whether you are an expert or do-it-yourself mechanic, Suzuki recommends that those items on the Inspection Chart marked with an asterisk(*), be performed by your authorized Suzuki dealer. You may perform the unmarked items easily by referring to the instructions in this section.

INTERVAL: THIS INTERVAL SHOULD BE JUDGED BY ODOMETER READING OR MONTHS, WHICHEVER COMES FIRST	miles	600	4 000	7 500	11 000	15 000
	km	1 000	6 000	12 000	18 000	24 000
	months	2	12	24	36	48
Battery (Specific gravity of electrolyte)		—	I	I	I	I
*Cylinder head nut & exhaust pipe bolts		T	T	T	T	T
Air cleaner element		—	C	C	C	C
*Tappet clearance		I	I	I	I	I
Spark plugs		—	C	R	C	R
*Fuel line		I	I	I	I	I
		Replace every four years.				
Engine oil and oil filter		R	R	R	R	R
Carburetor idle rpm		I	I	I	I	I
Clutch		I	I	I	I	I
Secondary and Final Gear oil		Change oil at initial 600 miles (1 000 km) and thereafter every 7 500 miles (12 000 km).				
*Brake hoses		I	I	I	I	I
		Replace every four years				
*Brake fluid		Replace every two years				
*Brakes		I	I	I	I	I
Tires		I	I	I	I	I
*Steering stem		I	I	I	I	I
*Chassis bolts and nuts		T	T	T	T	T
Front and rear suspension		—	—	I	—	I
		Check air pressure every 6 months				

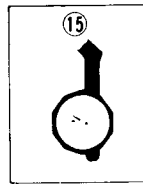
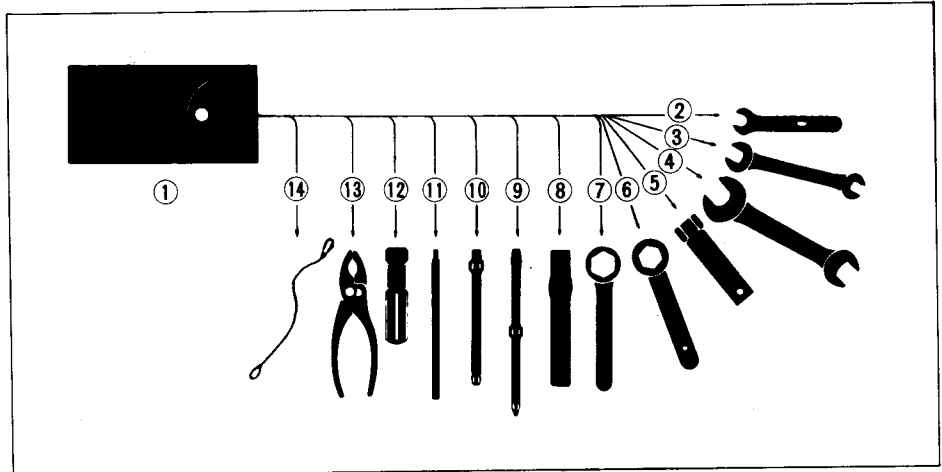
NOTE: T = Tighten, I = Inspect, R = Replace, C = Clean.

INSPECTION AND MAINTENANCE

TOOLS

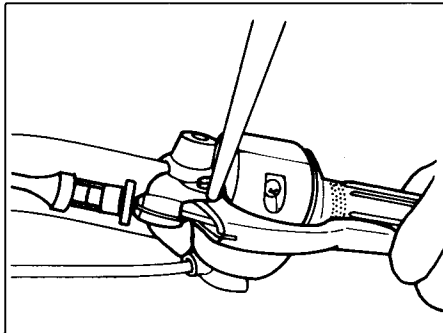
To assist you in the performance of periodic maintenance, a tool kit is supplied and is located under the seat. The tool kit consists of the following items.

Ref. No.	Item
1.	Tool Bag
2.	8mm Open End Wrench
3.	10 x 12mm Open End Wrench
4.	14 x 17 mm Open End Wrench
5.	Spark Plug Socket Wrench
6.	19mm Ring Wrench
7.	24mm Ring Wrench
8.	Ring Wrench Handle
9.	Combination Screwdriver
10.	Cross Head Screwdriver
11.	Socket Wrench Handle
12.	Screwdriver Handle
13.	Pliers
14.	Swinging arm wire
15.	Front Fork Air Pressure Gauge

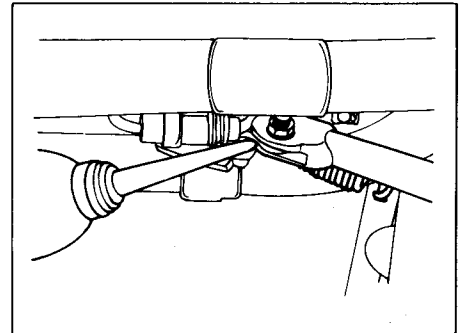


OILING CHART

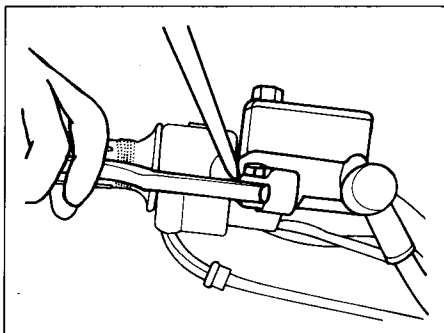
Proper lubrication is important for smooth operation and long life of each working part of your motorcycle and also for safe riding. It is a good practice to oil the machine after a long rough ride and after getting it wet in the rain or after washing it. Major oiling points are indicated below.



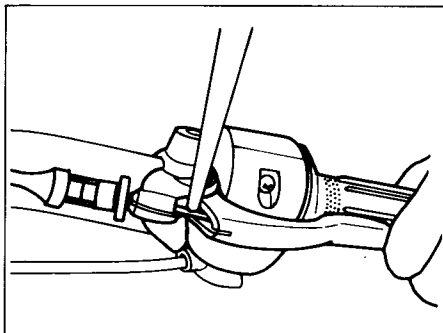
Clutch lever holder



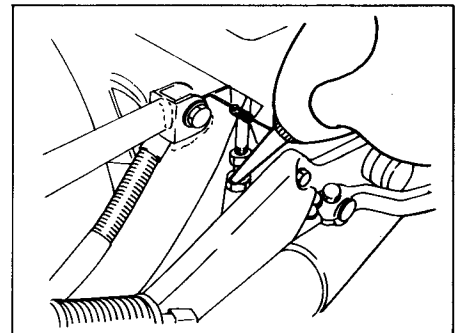
Side stand pivot



Brake lever holder

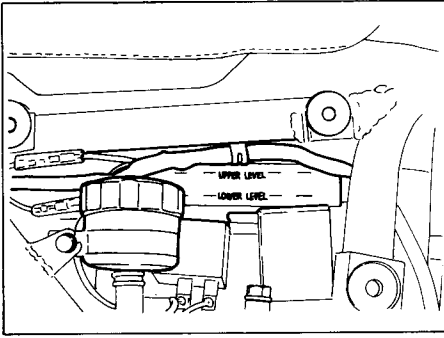


Clutch cable



Rear brake rod link

BATTERY

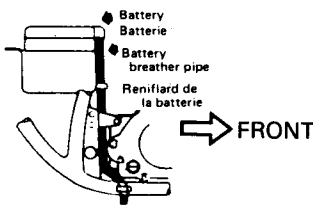


The battery solution level may be inspected by removing the right frame cover. The solution level must be kept between the upper and lower level lines at all times. If the solution level is below the lower limit line, add **ONLY** distilled water up to the upper limit line. **NEVER** use tap water.

WARNING:

Once the battery has been initially serviced, **NEVER** add diluted sulphuric acid.

CAUTION MISE EN GARDE



CAUTION:

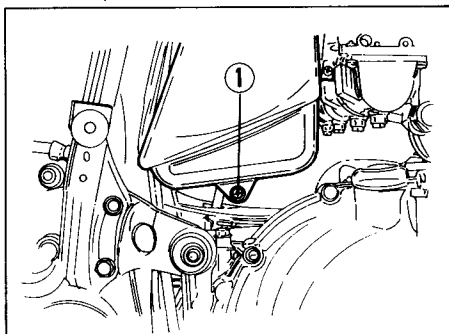
Do not bend obstruct or change the routing of the air vent tube from the battery. Make certain that the vent tube from the battery vent fitting and that the opposite end is always open. Route the battery vent tube and locate the battery exactly as shown.

CAUTION:

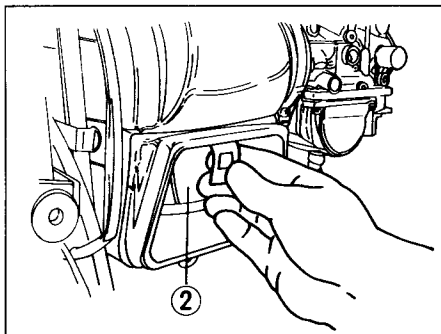
When attaching the wiring harness battery leads to the battery terminals, observe the correct polarity. The red lead must go to the (+) (positive) terminal and the black (or black with white tracer) lead must go to the (-) (negative) terminal. Reversing these connections will damage the charging system and the battery.

NOTE: Every 4 000 miles (6 000 km) have your dealer check the specific gravity of the battery's cells with a battery hydrometer. This will determine the exact condition of each of the six (6) cells.

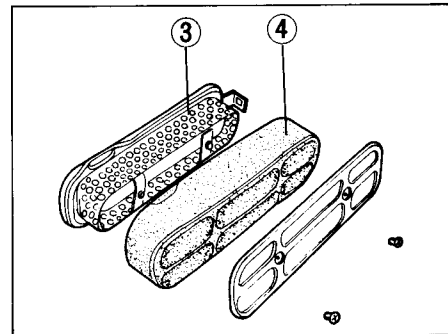
AIR CLEANER



(1) Cleaner case cover screw



(2) Element



(3) Element frame

(4) Polyurethane foam element

If the air cleaner is clogged with dust, intake resistance will increase with a resultant decrease in output and an increase in fuel consumption. Check and clean the cleaner every 4 000 miles (6 000 km) according to the following procedures.

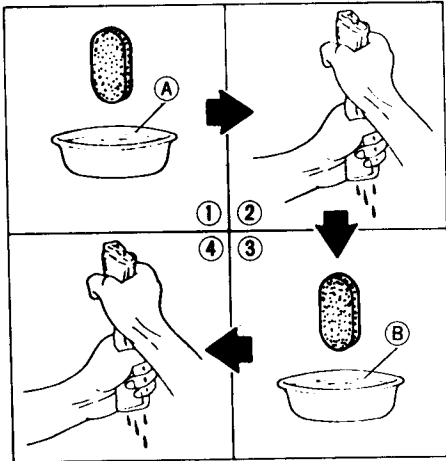
- 1) Remove the right frame cover.
- 2) Remove the air cleaner case cover by unscrewing the fitting screw.
- 3) Take out the air cleaner element from the air cleaner case.
- 4) Take out the polyurethane foam element out of the element frame by unscrewing two screws.

WASHING THE ELEMENT

Wash the element as follows:

- 1) Fill a washing pan of a proper size with non-flammable cleaning solvent. Immerse the element in the solvent and wash it clean.
- 2) Squeeze the solvent of the washed element by pressing it between the palms of both hands: Do not twist and wring the element or it will develop fissures.
- 3) Immerse the element in a pool of motor oil, and squeeze the oil off the element to make it slightly wet with the oil.

SPARK PLUGS



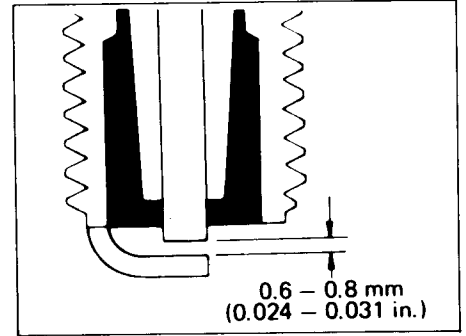
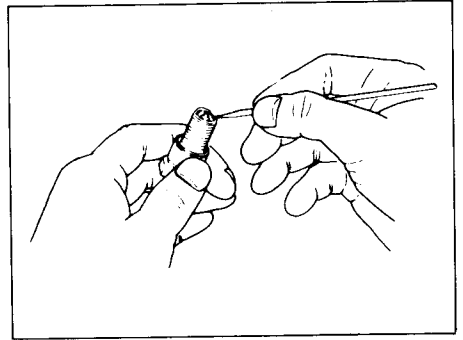
(A) Non flammable cleaning solvent
(B) Motor oil

CAUTION:

Before and during the cleaning operation, carefully examine the element for any tears in the material. A torn element must be replaced with a new one.

CAUTION:

If driving under dusty conditions, the air cleaner element must be cleaned more frequently. **NEVER OPERATE THE ENGINE WITHOUT THE ELEMENT IN POSITION.** Operating the engine without the air cleaner element will increase engine wear. Always be sure that the air cleaner element is in excellent operational condition at all times. The life of the engine depends largely on this single component.



- 4) Reinstall the cleaned element in reverse order of removal. Be absolutely sure that the element is securely in position and is sealing properly.

Initial 600 miles (1 000 km), remove the carbon deposits from the spark plug with a small wire brush or a spark plug cleaning machine. Readjust the spark plug gap to 0.024-0.031 in (0.6-0.8 mm) by using a spark plug gap thickness gauge. The spark plug should be replaced every 7 500 miles (12 000 km).

Whenever removing the carbon deposits, be sure to observe the operational color of each spark plug's porcelain tip. This color tells you whether or not the standard spark plug is suitable for your type of usage. If the standard plug is wet appearing or very dark in color, the hotter spark plug may be more suitable. A normal operating spark plug should be very

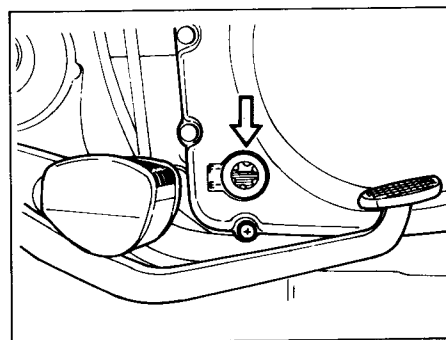
light gray in color. If the spark plug is very white or glazed appearing, then it has been operating much too hot. This spark plug should be replaced with the colder plug.

CAUTION:

The standard spark plug for this motorcycle has been carefully selected to meet the vast majority of all operational ranges. If the spark plug color indicates that other than a standard spark plug be used, it is best to consult your Suzuki dealer before selecting an alternate plug or heat range. The selection of an improper spark plug can lead to severe engine damage.

NGK	NIPPON DENSO	REMARKS
B7ES	W22ES-U	If the standard plug is apt to get wet, replace with this plug.
B8ES	W24ES-U	Standard
B9ES	W27ES-U	If the standard plug is apt to overheat, replace with this plug.

ENGINE OIL

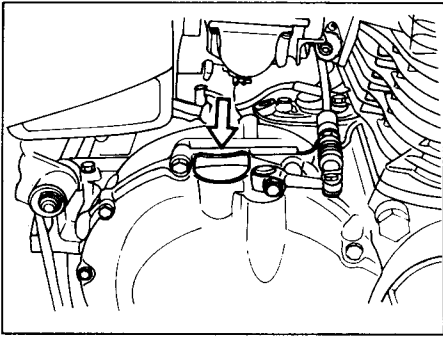


Engine oil inspection window

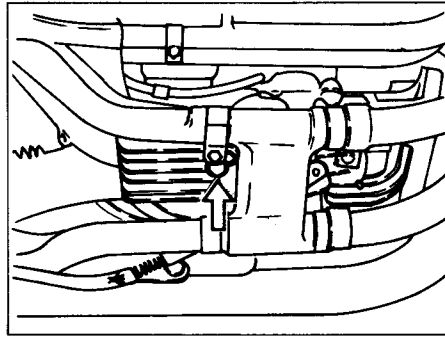
Superior engine life depends much on the selection of quality oil and the periodic changing of the oil. Daily oil level checks and periodic changes are two of the most important maintenances to be performed.

CAUTION:

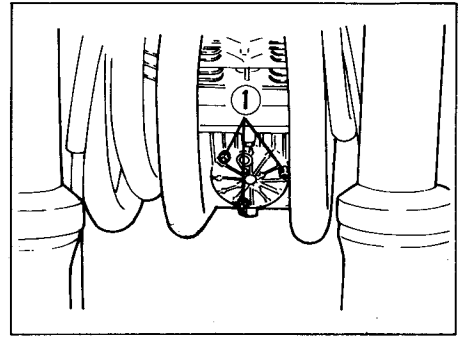
Never operate the motorcycle if the engine oil level is below the "L" (low) line in the inspection window. Never fill the engine oil level above the "F" (full) line.



Oil filler cap



Drain plug 21 mm

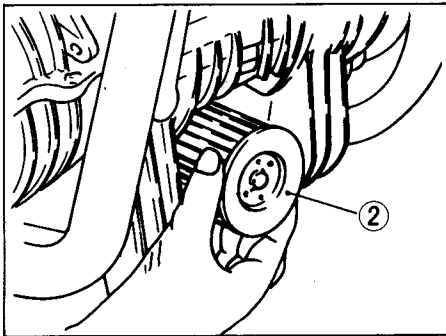


(1) Nut 10 mm

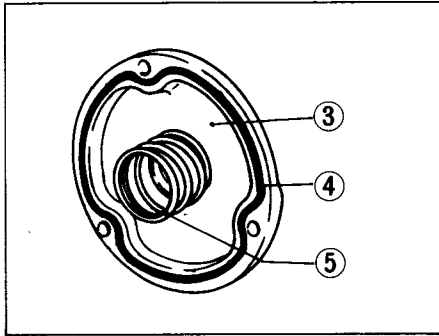
Change the engine oil and oil filter at the initial 600 miles (1 000 km) and also at the every 4 000 miles (6 000 km). The oil should always be changed when the engine is hot so that the oil will drain thoroughly from the engine. The procedure is as follows:

NOTE: About 3 000 ml (3.2 US qt) of oil will be required when changing oil only.

- (1) Place the motorcycle on the center stand.
- (2) Drain the engine oil by removing the drain plug from the bottom of the engine.
- (3) Remove the three (3) nuts holding the filter cap in place.
- (4) Remove the filter cap, pull out the element and replace with a new oil filter element. The rubber sealing ring is installed facing the engine.
- (5) Before replacing the oil filter cover, check to be sure that the filter spring and the cap "O" ring are installed correctly.
- (6) Replace the oil filter cover and tighten the nuts securely.



(2) Element



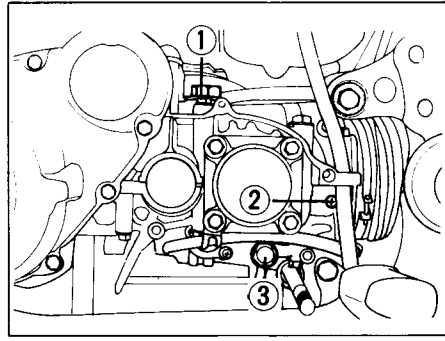
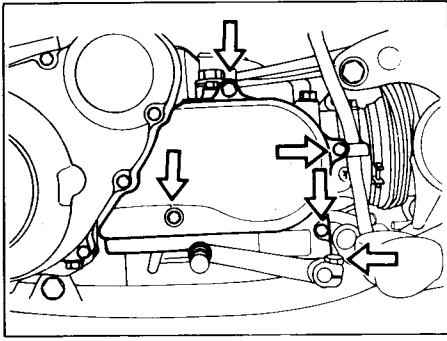
(3) Filter cap
(4) "O" ring
(5) Spring

- (7) Replace the drain plug and tighten them securely. Add fresh oil through the filler hole approximately 3 300 ml (3.5 US qt) will be required.
- (8) Start the engine and allow it to idle for several seconds.
- (9) Turn the engine off and wait approximately one minute, then recheck the oil level in the engine oil inspection window. The oil level should be at the "F" mark. If lower than the "F" mark, add oil until it reaches the "F" mark.

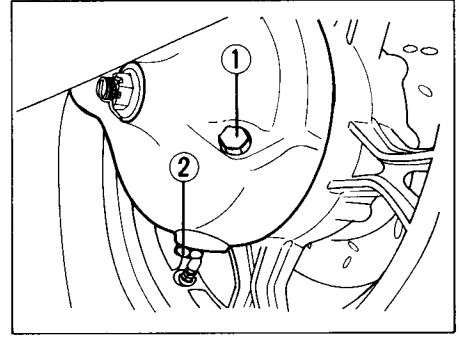
CAUTION:
Be sure to always use the specified engine oil described on FUEL AND OIL RECOMMENDATION section.

GEAR OIL CHANGE

Change the gear oil at initial 1 000 km (600 miles), and thereafter every 12 000 km (7 500 miles). Use SAE 90 hypoid gear oil which is rated GL-5 under API classification system. If you operate the motorcycle where ambient temperature is below 0°C (32°F), use SAE 80 hypoid gear oil. The procedure is as follows:



- (1) Oil filler cap
- (2) Oil level screw
- (3) Drain plug



- (1) Oil filler cap
- (2) Drain plug

SECONDARY GEAR OIL CHANGE

1. Place the machine on the center stand.
2. Remove the gearshift lever, and take off the secondary cover by removing the four fitting screws.
3. Remove the oil filler cap.
4. Drain the oil by removing the drain plug from the bottom of the secondary gear case.
5. Reinstall the drain plug and tighten it securely after all the oil has been drained out.

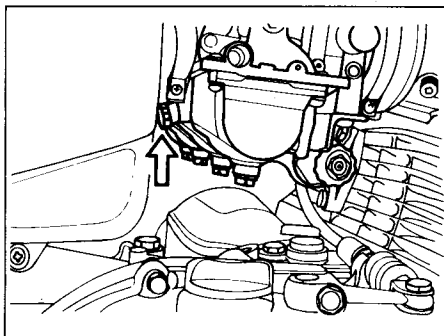
6. Remove the oil level screw, and add fresh oil through the filler hole until the oil drains out from the oil level hole. Approximately 340-400 ml (11.5-13.5 US oz) of oil will be required.
7. Reinstall the oil level screw and the oil filler cap.

FINAL GEAR OIL CHANGE

1. Place the machine on the center stand.
2. Remove the oil filler cap.
3. Drain the oil by removing the drain plug from the bottom of the final gear case.
4. Reinstall the drain plug and tighten it securely after all the oil has been drained out. Add fresh oil through the filler hole until the oil drains out from the oil filler hole. Approximately 280-330 ml (9.5-11.2 US oz) of oil will be required.
5. Reinstall the oil filler cap.

CARBURETOR

Undisturbed carburetion is the basis of the performance you ought to expect of your engine. The carburetor is factoryset for the best carburetion. Do not attempt to alter its setting. There are two items of adjustment, however, under your care: carburetor idle rpm and throttle cable play. Adjust the carburetor idle rpm and throttle cable play at initial 600 miles (1 000 km) and every 4 000 miles (6 000 km).



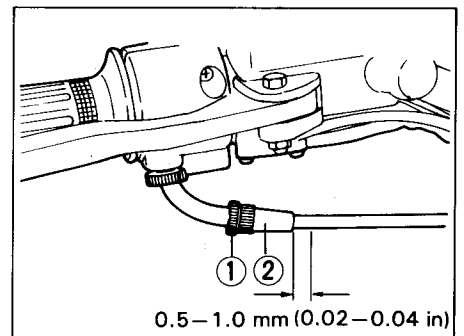
Throttle stop screw

ENGINE IDLING

- (1) Start up the engine and warm it up by running it at 2 000 r/min for 10 minutes in summer (where ambient temperature is 30°C (86°F) or thereabout) or for 20 minutes in winter (where ambient temperature is down to -5°C (23°F) or thereabout).
- (2) After engine warms up, turn the throttle stop screw located under the carburetor in or out so that engine may run at 950-1 150 r/min.

CAUTION:

The engine idling speed should be adjusted after the engine warms up.

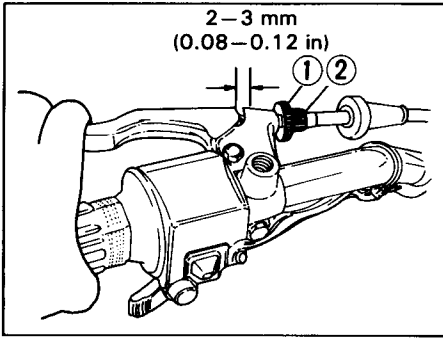


- (1) Lock nut
- (2) Adjuster

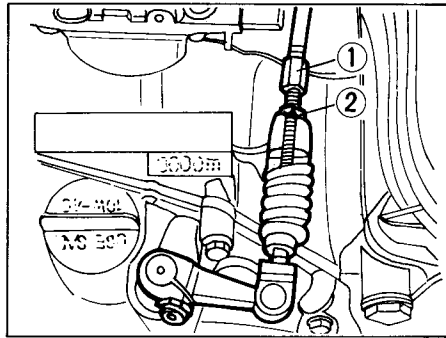
THROTTLE CABLE ADJUSTMENT

- 1) Loosen lock nut.
- 2) Adjust the cable slack by turning adjuster in or out to obtain the correct slack 0.5-1.0 mm (0.02-0.04 in).
- 3) After adjusting the slack, tighten the lock nut.

CLUTCH ADJUSTMENT



At initial 600 miles (1 000 km) and every 4 000 miles (6 000 km), adjust the clutch by means of clutch cable adjuster. The play of the clutch should be 2-3 mm (0.08-0.12 in) as measured at the clutch lever holder before the clutch begins to disengage. If you find the play of the clutch incorrect, adjust it in the following way.

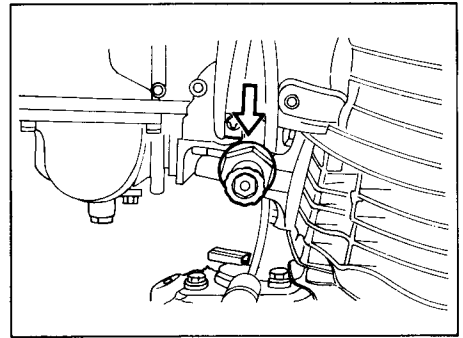


(1) Lock nut (2) Adjuster

- (1) Loosen the clutch cable adjuster lock nut (1).
- (2) Turn the clutch cable adjuster (2) to provide the specified play (2-3 mm).
- (3) Tighten the lock nut (1).

At the same intervals, lubricate the clutch cable with motor oil.

CAMSHAFT DRIVE CHAIN TENSIONER



The camshaft drive chain is kept in proper adjustment by an AUTOMATIC camshaft drive chain tensioner. This automatic tensioner never needs servicing by the customer and the camshaft drive chain itself need not be checked for stretch or wear.

CAUTION:

Never attempt to turn the tensioner wheel in either direction. Turning the wheel even slightly can jam the mechanism which will prevent it from adjusting the chain properly. An improperly adjusted chain can cause severe engine damage.

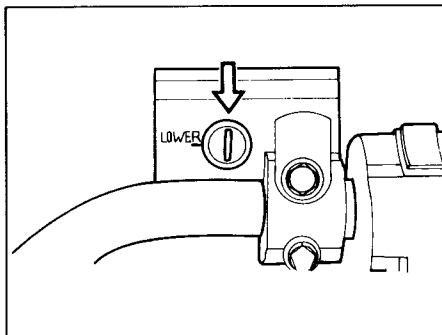
BRAKES

This motorcycle utilizes front and rear disc brakes. Properly operating brake systems are vital to safe riding. Be sure to perform the brake inspection requirements as scheduled. The brakes should be inspected at the initial 600 miles (1 000 km) inspection and every 4 000 miles (6 000 km) thereafter, by your authorized Suzuki dealer.

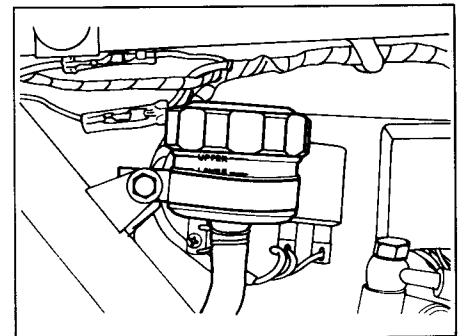
BRAKE FLUID

WARNING:

Brake fluid may be harmful if swallowed or if it comes in contact with skin or eyes. Contact your physician immediately. If swallowed induce vomiting. If brake fluid gets into the eyes or incontact with the skin, it should be slushed thoroughly with plenty of water.



Front reservoir

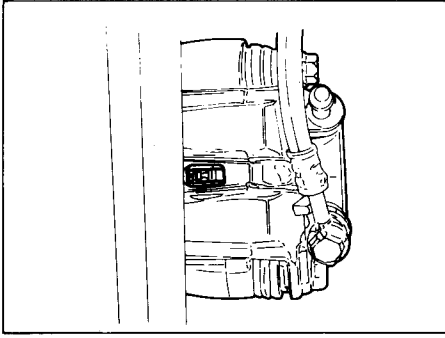


Rear reservoir

WARNING:

This motorcycle uses a glycol-based brake fluid. Do not use or mix different types of brake fluid such as silicone-based or petroleum-based fluid, otherwise serious damage will result to the brake system. Never use any brake fluid that has been stored in a used or unsealed container. Never reuse brake fluid left over from the last servicing and stored for long periods as it absorbs moisture from the air. Use only DOT 3 or DOT 4 brake fluid. Do not spill any brake fluid on painted or plastic surfaces as it will damage the surface severely.

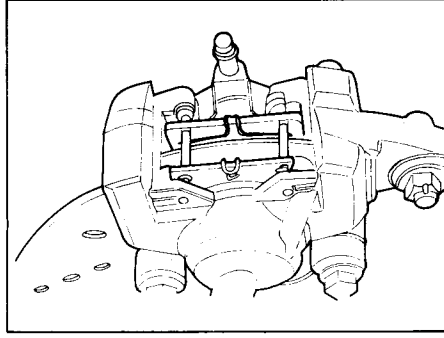
Be sure to check the brake fluid level in the front and rear reservoirs. If the level was found to be lower than the lower mark, replenish with the proper brake fluid that meets Suzuki's requirements. As the brake pads wear, the fluid level will drop to compensate for the new position of the brake pads. Replenishing the brake fluid reservoir is considered normal periodic maintenance.



Front brake pads

Inspect the front brake pads by noting whether or not the friction pads are worn down to the red limit line. If a pad is worn to the red limit line it must be replaced with a new one.

Inspect the rear brake pads for wear by noting whether or not the pad is worn down to the shoulder of each pad. If the shoulder is gone or nearly gone, the pad must be replaced with a new one. It is necessary to remove the pad inspection cap.



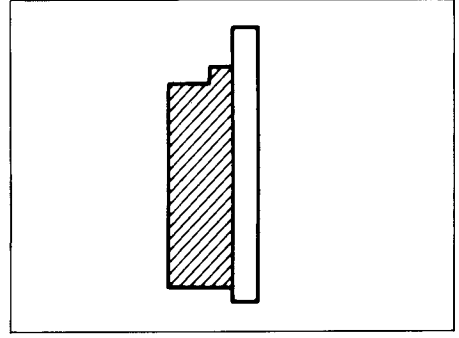
Rear brake pads

WARNING:

If the brake system or pads need to be repaired or serviced we strongly advise you to have your authorized Suzuki dealer perform service. He has the proper tools and proper training to perform the job in a safe manner.

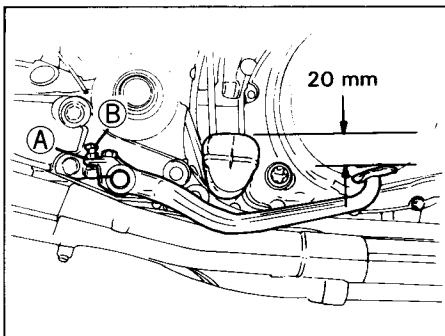
CAUTION:

Disc brake systems operate under extremely high pressures. For safety, the brake hose and brake fluid should be changed at intervals of no longer than those scheduled in PERIODIC MAINTENANCE section of this manual. Inspect your brake system for the following items daily.



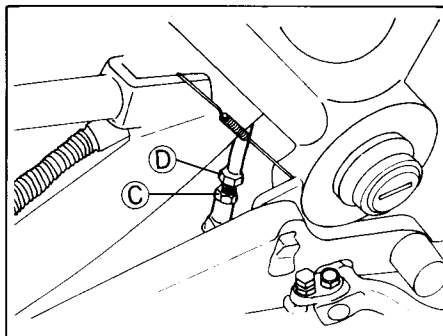
- (1) Inspect the front and rear brake system for signs of fluid leakage.
- (2) Inspect the brake hose for leakage or a cracked appearance.
- (3) The brake lever should have the proper stroke and be firm at all times.
- (4) Check the wear of the disc brake pads.

REAR BRAKE PEDAL ADJUSTMENT



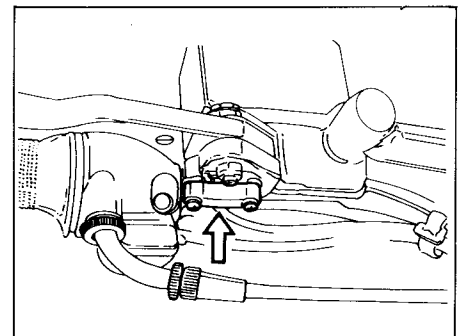
The rear brake pedal must have a specified amount of clearance at all times or the disc brake pads will rub the disc causing damage to the pads and to the disc surface. Adjust the brake pedal in the following manner:

- (1) Loosen lock nut (A) and turn the stopper bolt (B) away from the stopper lug.
- (2) Loosen lock nut (C), and rotate the push rod (D) to locate the pedal 20 mm below the top face of the foot rest. Be sure to measure this clearance carefully.
- (3) Retighten lock nut (C) to secure the push rod (D) in the proper position.



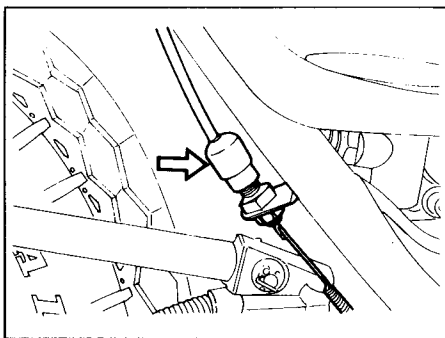
- (4) Adjust the clearance between the tip of the return stopper bolt (B) and the stopper lug so that the clearance is zero. Retighten the lock nut (A).

FRONT BRAKE LIGHT SWITCH



The front brake light switch is located beneath the front brake lever. Loosen the switch fitting screws and adjust the actuating point by moving the switch body to the right or to the left so that the brake light will come on just before a pressure rise is felt at the lever.

REAR BRAKE LIGHT SWITCH



The rear brake light switch is located under the right frame cover. To adjust the brake light switch: raise or lower the switch so that the brake light will come on just before a pressure rise is felt when the brake pedal is depressed.

TIRES: TUBELESS TYPE

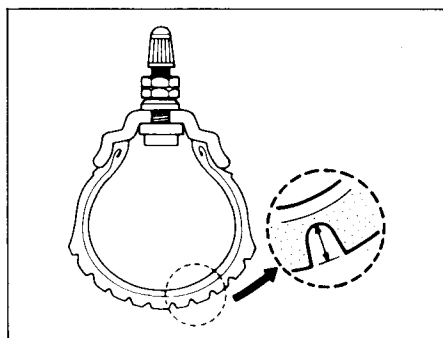
This motorcycle is equipped with tubeless-type tires. These tires have passed rigid factory testing on this motorcycle and their use will ensure handling and high speed stability.

Check the tire inflation pressure and tire tread condition at the initial 600 miles (1 000 km) and each 4 000 miles (6 000 km) inspection. For maximum safety and good tire life, the tire pressure should be inspected more often.

NOTE: Tubeless tires, unlike tube equipped tires, have some self sealing properties. If the tire pressure has dropped, inspect the tire very carefully for punctures, nails or a damaged rim.

TIRE PRESSURE

Insufficient air pressure in the tires not only hastens tire wear but also seriously affects the stability of the motorcycle. Under inflated tires make smooth cornering difficult and overinflated tires decrease the amount of tire in contact with the ground which can lead to skids and loss of control. Be sure that the tire pressure is within the specified limits at all times. Tire pressure should only be adjusted when the tires are cold.



TIRE TREAD CONDITION

Operating the motorcycle with excessively worn tires will decrease riding stability and can lead to loss of control. It is recommended that the front tire be replaced when the remaining depth of tire tread becomes 1.6 mm (0.06 in) or less. The rear tire should be replaced when the tread becomes 2.0 mm (0.08 in) or less.

WARNING:

The use of a tire other than original equipment can lead to serious stability problems and possible loss of control. Suzuki strongly recommends that you use only the specified (BRIDGESTONE, DUNLOP) 110/90-19 62H front tire and 130/90-16 67H rear tire due to our familiarity with their performance.

Tubeless type tires require that special precautions be taken when changing tires or repairing flats.

- Tubeless tires depend upon the seal between the tire bead and the wheel rim to retain air. Damage to the tire bead surface or the inner wheel rim surface will result in air leak. For this reason, special care must be taken when removing or installing the tire from the wheel. Special tire irons and rim protectors or a specialized tire mounting machine are required to prevent damage.

- Punctures in tubeless tires should be repaired by dismounting the tire and applying an internal patch.
- The use of tubeless tire plugs (external repair) to repair punctures is not recommended, as the cornering forces generated by a motorcycle may cause them to work loose.
- If the puncture is in the sidewall area or if the hole is greater than 6 mm (0.2 in) in diameter, the tire must be replaced.

After reinstalling a repaired tire, you should not exceed 50mph (80 km/h) for at least 24 hours, because repair failure and tire deflation may result. Never exceed 80mph (130 km/h) with a repaired tire.

Proper wheel balancing is necessary for safe and stable handling of the motorcycle. You should not remove or change the wheel balance weights. After tire replacement or repair, the wheel must be rebalanced. Trust this work only to someone with the proper tools and equipment.

Due to the importance of tire repair and replacement, we recommend that you consult an authorized Suzuki dealer to perform these services. If an authorized Suzuki dealer is not available, go to an authorized tire repair station with tubeless-tire-on-alloy-wheel experience.

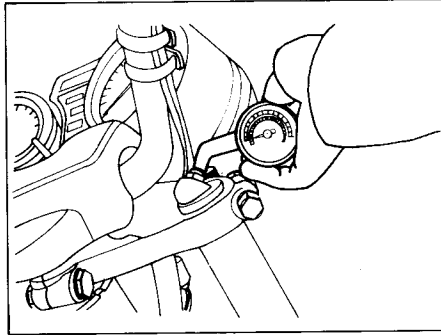
TIRE INFLATION PRESSURE		kg/cm ²	psi	kpa
FRONT		2.0	28	200
REAR	Up to 80 kg (175 lbs) load	2.25	32	225
	80-132 kg (175-300 lbs) load	2.8	40	280

SUSPENSION SYSTEM

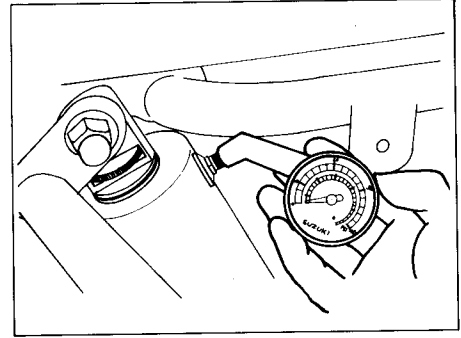
Air-assisted front and rear suspension systems are used on this motorcycle. The front and rear suspension air pressure is individually adjustable for the degree of stiffness suitable to your type of riding and loading conditions. In addition, the rear suspension damping force is adjustable to match the damping to the varied suspension stiffness.

The standard suspension air pressure and damping force adjustments are set at the factory as shown below.

	Air pressure	Damping adjuster ring position
Front suspension	0.7 kg/cm ² (10 psi)	—
Rear suspension	1.0 kg/cm ² (14 psi)	3



Front suspension



Rear suspension

SERVICING AIR PRESSURE

To service the front and rear suspension air pressure, place the motorcycle on its center stand with the front wheel off the ground by jacking up the front end of the chassis or engine. To service the rear suspension air pressure, place the motorcycle on its center stand and with the rear wheel off the ground.

Remove the air valve protection caps and use the air pressure gauge to service the air pressure. To raise the air pressure, use a hand pump to add air to each valve. To lower the air pressure, bleed the air from the valve. Double check the air pressure and make sure that it is at the setting you desire.

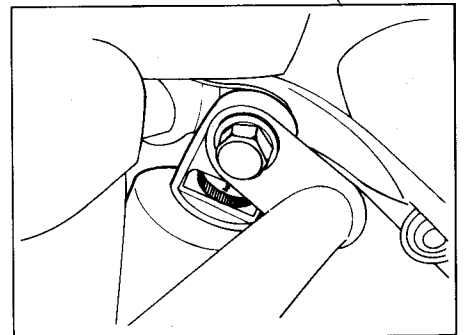
CAUTION:

Do not attempt to alter the suspension air pressure setting by using a high pressure tire filler such as is available in gas stations. A hand type pump must be used so that no damage will occur to the suspension assembly. Never use any air containing inflammable gases. Instead of ordinary air, nitrogen gas may be substituted if available. When pumping air in, never increase the pressure above 2.5 kg/cm² (35 psi). This is the maximum permissible pressure to avoid suspension oil seal and valve damage.

WARNING:

Equalize the air pressure of the right and left suspensions for both front and rear. The maximum allowable difference is 0.1 kg/cm² (1.4 psi). This will prevent unnecessary stress on the suspension.

NOTE: Suspension air pressure, as with tire pressure, should be checked periodically (monthly) and especially after periods of non-use. When servicing the pressure, be sure to apply the pressure gauge squarely to the air valve. After taking a reading, remove the gauge quickly. This must be done as some pressure is lost when removing the gauge. The loss ranges from 0.05-0.10 kg/cm² (0.7-1.4 psi). Take this loss of air pressure into consideration when servicing for your final air pressure.



Damping force adjusting ring

DAMPING ADJUSTMENT

To increase or decrease the damping force of the rear suspension, turn the adjusting ring. Damping adjustments are indicated by the numbers 1 through 4 engraved on the adjusting ring. As you turn the adjusting ring, you will notice a click as you reach each the number position. When changing the damping force, always be sure that the adjusting ring stops with the number visible, that a click is noticed and the ring feels as if it were setting in a detent or a notch. Position 1 (softest) provides for the smallest amount of damping force, and position 4 (stiffest) for the largest amount.

CAUTION:

Do not operate the rear damper units in any positions other than the click or detented position. If positions 2 1/2, 3 1/2, etc. are used, the damping force will automatically have the same damping force as number 4 (stiffest) position.

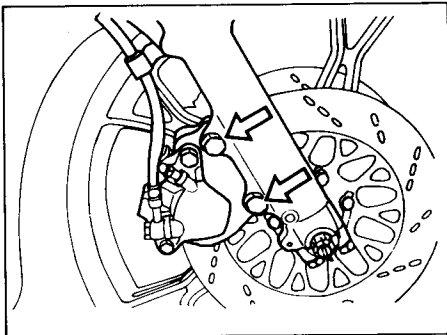
CHANGING SUSPENSION SETTING

The standard suspension setting is calculated to provide excellent suspension comfort and handling stability for the following driving conditions: solo riding, driving at an average traffic speed, no extra accessories attached and no pay-load

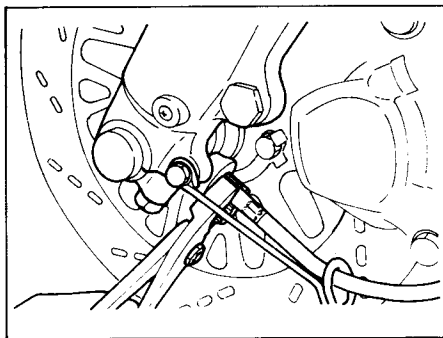
mounted. If any load, including weight of passenger, accessories or pay-load is to be increased, the suspension setting should be adjusted as guided in the following table.

Motorcycle load	Front suspension	Rear suspension	
	Air pressure	Air pressure	Damping force position
Standard	0.7 kg/cm ² (10 psi)	1.0 kg/cm ² (14 psi)	3
Maximum load	0.7 kg/cm ² (10 psi)	1.0 kg/cm ² (14 psi)	3 or 4

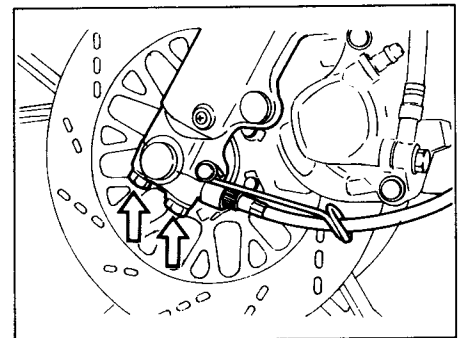
FRONT WHEEL REMOVAL



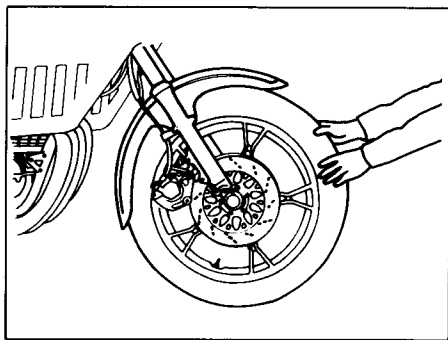
- (1) Place the motorcycle on the center stand.
- (2) Remove either one of two calipers, left or right, from the fork by unfastening its two mounting bolts.



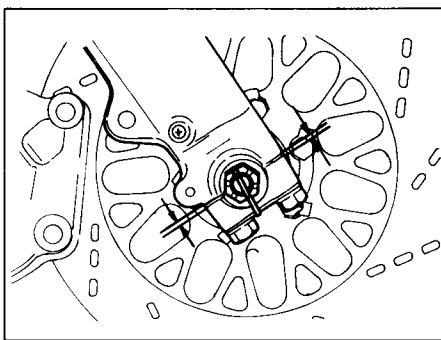
- (3) Disconnect the speedometer cable from the front wheel. When the cable is released, prevent the inner drive cable from sliding out of the outer cable housing.



- (4) Remove the axle holders, both right and left by unfastening the two nuts on each of the axle holder caps.



- (5) Lift the front end of the motorcycle up and place a jack or a block under the engine or chassis tubes.
- (6) Slide the front wheel forward. To reinstall the wheel assembly reverse the sequence as described.



WARNING:

If the front wheel has to be removed, it is very important to have the loosened nuts and bolts torqued to the proper specifications. We suggest that you have this performed by an authorized Suzuki Dealer.

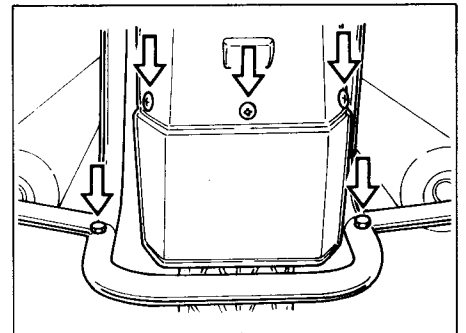
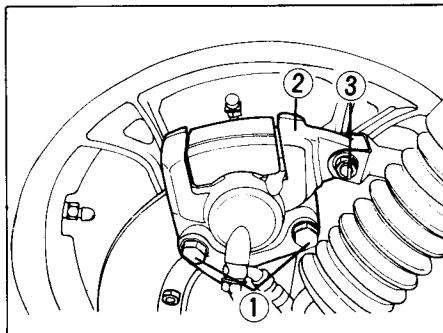
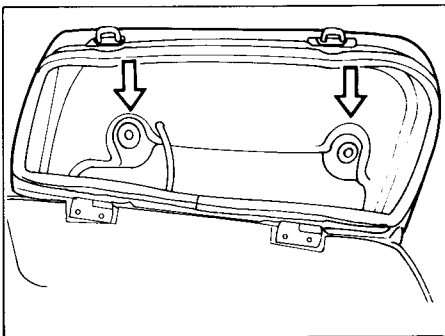
CAUTION:

Before tightening the axle holders in place, locate the speedometer drive gear box properly when installed. To secure the axle properly, the axle holders should be tightened down so that the gap on each side of the cap is equal.

CAUTION:

Never squeeze the front brake lever with the front wheel removed. It is very difficult to force the pads back into the caliper assembly.

REAR WHEEL REMOVAL

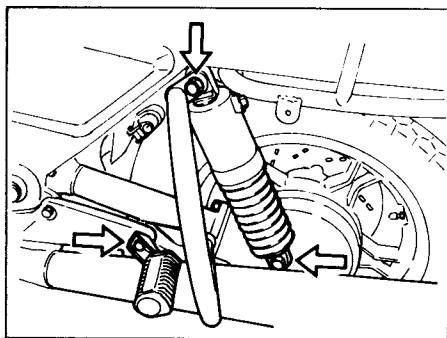


- (1) Caliper mounting bolt
- (2) Caliper
- (3) Torque link bolt

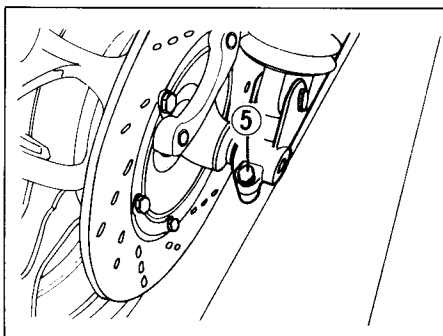
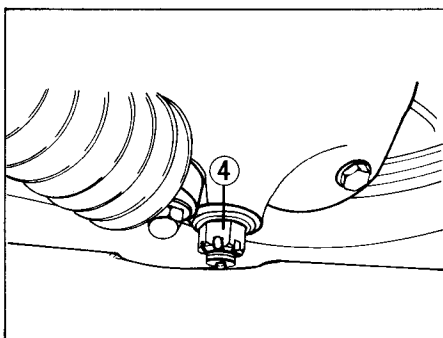
- (1) Place the motorcycle on its center stand.
- (2) Remove the right and left saddle bag by loosening four bolts.

- (3) Remove the caliper mounting bolts, rear torque link cotter pin and rear torque link bolt. Pivot the caliper out of the way.

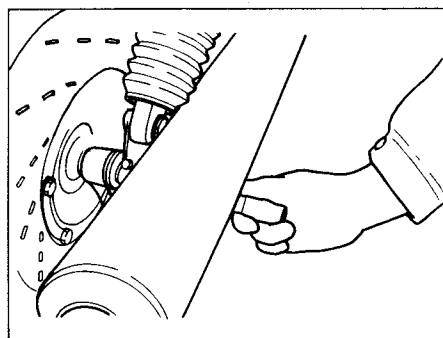
- (4) Loosen the three screws and remove the rear fender extension. Loosen the two rear accessory bar bolts and take off rear accessory bar.



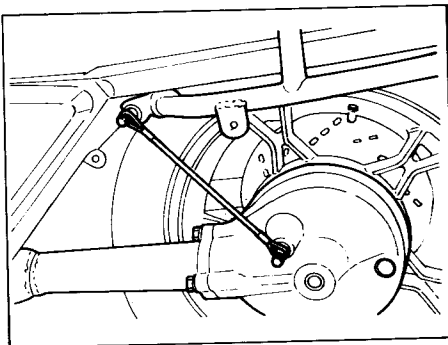
- (5) Loosen the rear suspension fitting bolts and side accessory bar bolts.
- (6) Remove side accessory bar.
- (7) Pull the top side of the rear suspensions free from the mounting lugs.



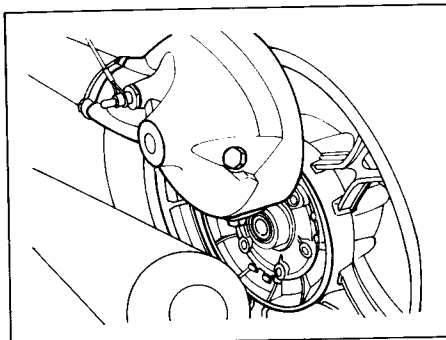
- (8) Remove the cotter pin and loosen the axle nut (4).
- (9) Loosen the axle shaft holder bolt (5).



- (10) Remove the axle shaft.



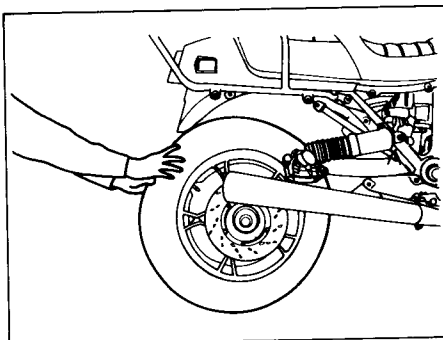
(11) Lift up the rear wheel and hook a piece of wire to the left side rear shock absorber mounting lugs to hold the swinging arm lifted.



(12) Remove the wheel from the splined drive gear and set the wheel assembly on the ground.

(13) Remove the rear wheel assembly.

(14) To replace the wheel reverse the complete sequence listed.



WARNING:

If you have found it necessary to remove the rear wheel, it is important that the nuts and bolts be torqued to the proper specification. We strongly recommend that you have these bolts checked and retorqued by your authorized Suzuki dealer.

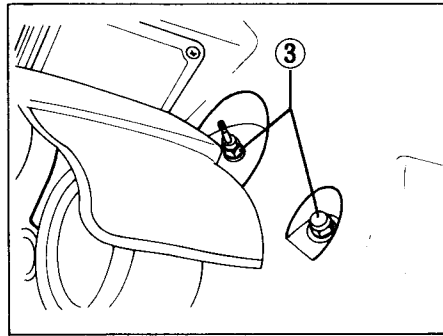
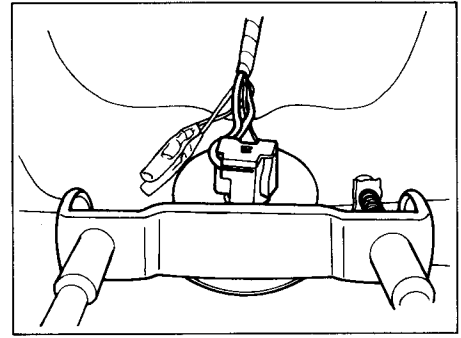
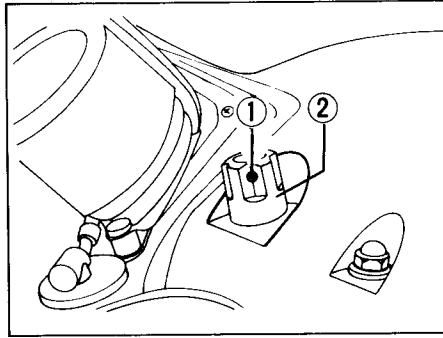
CAUTION:

- (1) Check all bolts, nuts and cotter pins after installing the rear wheel.
- (2) While removing the caliper from the mounting brackets it is possible for the brake hose to touch the muffler. If the muffler is still hot, the hose could be damaged. Protect the hose with a cloth or wait until the muffler cools.
- (3) When reinstalling the rear caliper, be careful not to twist the brake hose or route it improperly.

LIGHT BULB REPLACEMENT

The wattage rating of each bulb is shown on the chart below. When replacing a burned out bulb, always use the exact same wattage rating. Using other than the specified rating can result in overloading the electrical system or premature failure of a bulb.

Headlight	12V 60/55W
Tail/Brake light	12V 8/23W (3/32 cp)
Turn signal/ Running light	12V 23/ 8W (32/3 cp)
Licence plate light	12V 8W



(2) Loosen the headlight housing fitting nuts (3) and take off the headlight assembly.

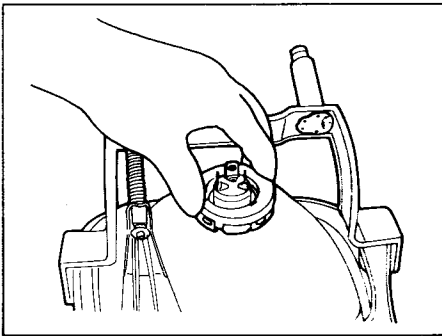
(3) Remove the headlight from the wiring socket.

HEADLIGHT

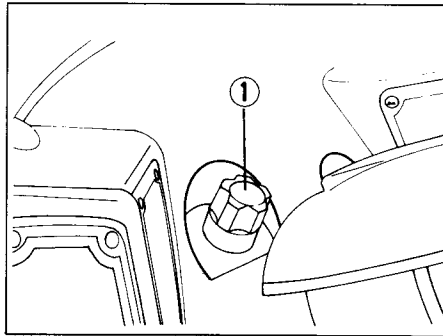
To remove the headlight perform the following steps:

(1) Loosen the vertical line adjuster screw (1) and remove the vertical line adjuster (2).

HEADLIGHT BEAM ADJUSTMENT



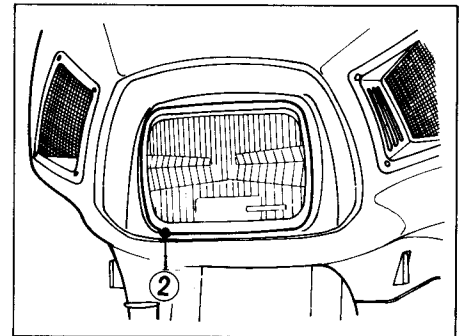
- (4) Roll up the rubber cap.
- (5) Push the bulb setter in, twisting it to the left and remove the bulb setter.
- (6) Pull out the bulb.



(1) Vertical line adjuster

The headlight beam can be adjusted if necessary.

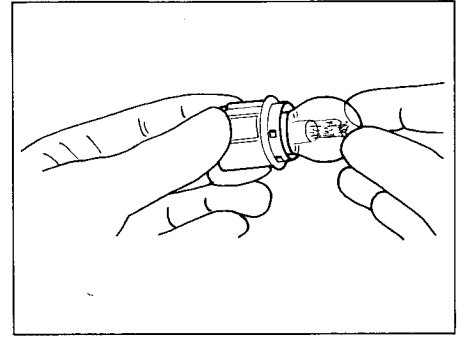
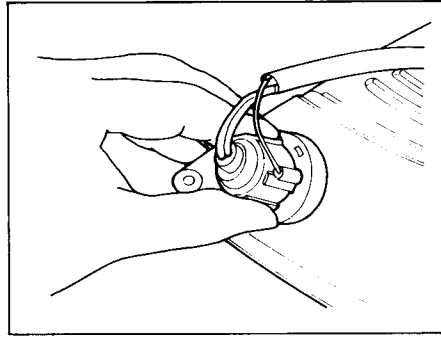
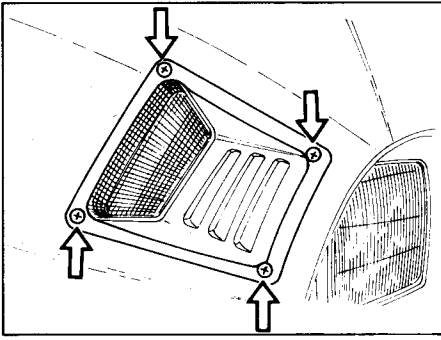
To adjust the beam vertically:
Adjust the beam vertically by turning the vertical line adjuster clockwise or counterclockwise.



(2) Horizontal line adjuster

To adjust the beam horizontally:
Adjust the beam horizontally by turning the horizontal line adjuster clockwise or counterclockwise.

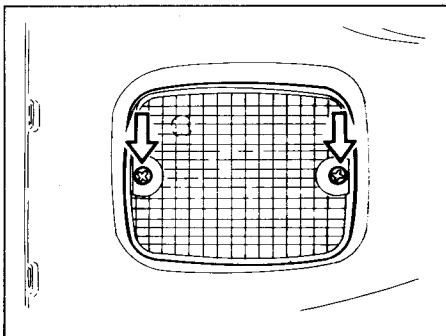
FRONT TURN SIGNAL



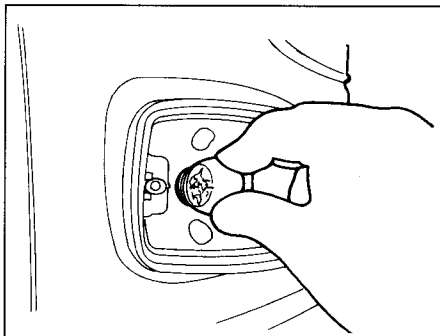
To replace the front turn signal light, follow these directions:

- (1) Remove the four screws and take off the front turn signal assembly.
- (2) Push the socket, twisting it to the left, and pull it off.
- (3) Push the bulb, twisting it to the left, and pull it off.
- (4) To fit the replacement bulb push it in and twist it to the right while pushing.

REAR TURN SIGNAL LIGHT



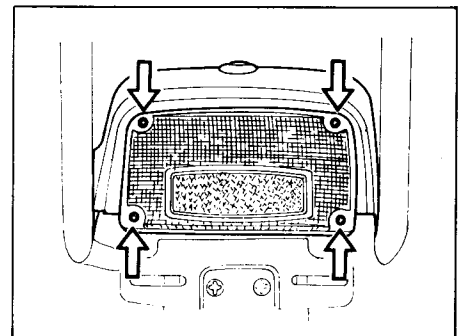
(1) Remove the two screws and take off the lens.



- (2) Push the bulb, twisting it to the left, and pull it off.
(3) To fit the replacement bulb, push it in and twist it to the right while pushing.

CAUTION:

After setting the lens, be careful not to overtighten the two securing screws lest the lens should break.

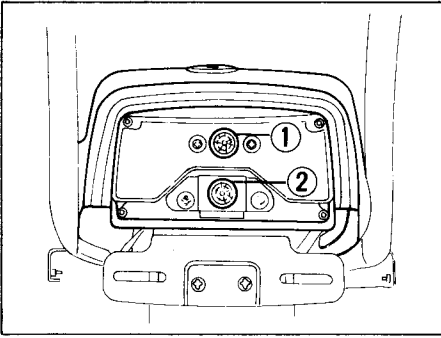


TAIL/BRAKE LIGHT (LICENSE PLATE LIGHT)

To replace the tail/brakelight bulb or license plate light bulb, follow these directions:

- (1) Remove the four screws and take off the lens.

FUSE BOX/OUTPUT TERMINAL

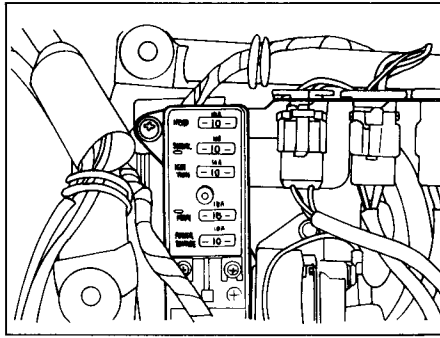


- (1) Tail/Brake light
(2) Licence plate light

- (2) Push the bulb in, twisting it to the left until the engagement pins are disconnected and remove the bulb. To fit the replacement bulb into position, push the bulb in firmly and twist it to the right while pushing in.

CAUTION:

When replacing the lens, do not over-tighten the four securing screws.



The fuse box/output terminal is located inside the left hand frame cover. There are five fuses. If there is a sudden halting of the engine while running or any electrical system failure then the fuses must be checked. In case one or more of the fuses blow there are two spare fuses, a 15A and a 10A fuses, located in the fuse box cover.

For attaching electric accessories, the output terminal is provided.

When feeding current to an electric accessory from this output terminal, first remove terminal cover. Then, connect it to the terminal with extreme care not to confuse its positive (+) and negative (-), following marks positive (+) and negative (-) on the terminal. After that,

replace the terminal cover. The allowable current is 10A (12V).

CAUTION:

This output terminal is strictly provided for electric accessories, and so, any other usages are forbidden. In actual use for any electric accessory, please consult Suzuki dealer. It should be noted that a burnt out fuse should be replaced, removing terminal cover.

CAUTION

Never use other than specified 10A fuse for the output terminal.

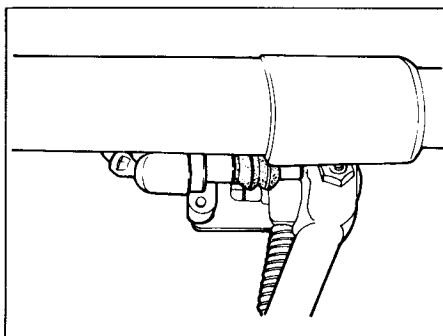
CAUTION:

Always be sure to replace the blown fuse with the correct amperage fuse. Never use a substitute, for example aluminum foil or wire, to replace a blown fuse. If the spare fuse installed blows out in a short period of time it means that you could have a major electrical problem. You should consult your Suzuki dealer immediately.

FUSE LIST

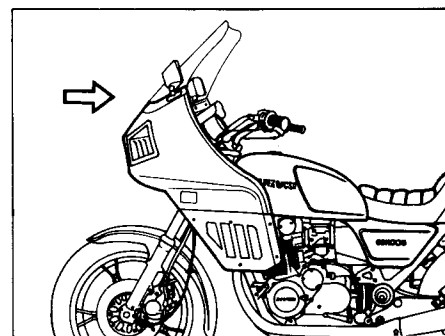
1. 15A MAIN fuse protects all electrical systems.
2. 10A HD LAMP fuse protects headlight, taillight, license plate light, instrument light and high beam indicator light.
3. 10A SIGNAL fuse protects brake light, turn signal lights, turn signal indicator light and horn.
4. 10A IGNITION fuse protects the ignition system and electrical start system.
5. 10A OUTPUT TERMINAL fuse protects the electric accessories.

SIDE STAND CHECK LIGHT



To adjust the side stand check light switch: move the switch right or left so that the check light in the instrument panel will turn off when the side stand is returned to its normal up position.

WIND SHIELD



Clean the windshield with a soft cloth and warm water with a mild detergent. Minor scratches may be removed by polishing with a commercially available plastic polish. Never use a polish containing abrasive or polishing compound, as it may cause permanent scratches. Replace windshield if it becomes scratched or discolored so as to obstruct view. When replacing windshield, use Suzuki replacement windshield.

WARNING

Do not ride the motorcycle with a severely scratched or cracked windshield.

TROUBLESHOOTING

If the engine refuses to start, perform the following inspections to determine the cause.

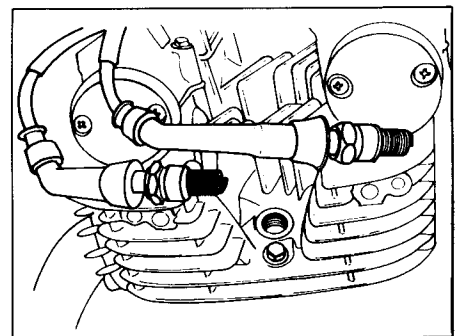
- (1) Is there enough fuel in the fuel tank?
 - (2) Is the fuel reaching the carburetors from the fuelcock?
 - (3) Disconnect the fuel line from the carburetor, turn the fuelcock to the "PRIME" position and see if gasoline flows from the hose.
 - (4) Then turn the fuelcock to the "ON" position and crank the engine for a brief moment and see if fuel still flows.
 - (5) If it has been determined that fuel is reaching the carburetor, the ignition system should be checked next.
- (1) Remove a spark plug and re-attach it to the spark plug lead.
 - (2) While holding the spark plug firmly against the engine, push the starter button with the ignition switch in the "ON" position and the engine "kill" switch in the "RUN" position. If the ignition system is operating properly, a blue spark should jump across the spark plug gap. If there is no spark, consult your Suzuki Dealer for repairs.

WARNING:

Do not allow the fuel to spill, and catch the fuel in a container.

WARNING:

Do not hold the spark plug close to the open spark plug hole in the cylinder head as gasoline vapor inside the cylinder could be ignited, creating a fire hazard.



ENGINE STALLING

- (1) Check the fuel supply in the fuel tank.
- (2) Check the ignition system for intermittent spark.
- (3) Check the engine idle speed.

CAUTION:

It is best to consult your Suzuki dealer before attempting to troubleshoot any problem. If the machine is still within the warranty, then the Suzuki dealer should definitely be consulted before any repairs are attempted on the machine by yourself. Tampering with the machine while in warranty may affect warranty consideration.

STORAGE PROCEDURES

PROCEDURE FOR STORAGE

Materials Needed

1. Motor Oil.
2. Commercial Gasoline Stabilizer.
3. Commercial Rust Preventative Fogging Oil. (outboard motor type)
4. Commercial Aerosol Rust Preventative. (moisture displacing lubricant)
5. Commercial Vinyl and Rubber Preservative.
6. Hydrometer for Checking Battery Condition.
7. 1 Amp Battery Charger.

1. Place the motorcycle on its center stand.
2. Thoroughly clean the entire motorcycle. Run the bike until all traces of moisture are gone.
3. Pour the gasoline stabilizer into the fuel tank using the amount of stabilizer recommended by its manufacturer. Unstabilized fuel will form "gum" or "varnish" deposits that will plug the fuelcock and carburetor passageways.

NOTE: Make sure that the fuelcock lever is in the "ON" or "RESERVE" position. If the lever is left in the prime position, fuel may leak into the engine.

NOTE: Steps 4a and 4b are for protecting the top end engine components from rust and corrosion. Step 4b is to be used only if fogging oil is not available. Do either 4a or 4b, but DO NOT do both.

- 4a. Remove the air cleaner element. While the engine is running at idle, spray the rust preventative fogging oil into the air cleaner box. Try to give each cylinder equal amounts of fogging oil. Do this until the engine stalls or emits smoke.
- 4b. Run the engine for a few minutes to get the stabilized fuel into the carburetors. Then, remove the spark plugs and pour 1 to 2 tablespoons of motor oil into each spark plug hole. Reinstall the spark plugs. DO NOT reinstall the spark plug caps at this time. Turn the engine over a few times with the electric starter. Now reinstall the spark plug caps.
5. Drain the old engine oil and remove the oil filter, but DO NOT replace it at this time. With fresh oil, refill the crankcase all the way up to the filler cap hole. This step is necessary because the old oil contains acid, moisture and other contaminants that will damage the engine while it is stored.

6. Refill the fuel tank as completely as possible to eliminate any air space and to reduce the chances of the fuel becoming contaminated.
7. Remove the battery. Make sure to remove the negative terminal before the positive terminal. This will remove the battery from the circuit and will eliminate the chance of grounding the positive terminal with the screwdriver or wrench. Clean the outside of the battery with a mild baking soda and water solution and dry it carefully. Be sure not to get any solution inside the cells. Remove any corrosion from the terminals and from the wiring harness connections. Store the battery in a room that stays above freezing, off the floor, and preferably on a wooden shelf.
8. Spray all of the vinyl and rubber parts with the rubber preservative.
9. Spray the unpainted surfaces of the motorcycle with the rust preservative.
10. Deflate the tires to approximately 20 PSI and block up the front of the motorcycle so both front and rear tires are off of the ground. This will keep the tires from developing permanent "flat" spots.

During the storage period, be sure to do the following things:

Once A Week

Turn the engine over a few times by removing the spark plugs and putting the transmission in 5th gear and turning the rear wheel. This will keep the piston rings free and top end coated with oil. Reinstall the spark plugs and visually inspect your machine for any other things that would be detrimental to the condition of your motorcycle.

Once A Month

Recharge the battery with the one amp battery charger until it is fully charged. If the battery is not kept fully charged, it may become permanently damaged and will have to be replaced.

PROCEDURE FOR RETURNING TO SERVICE

1. Clean the entire motorcycle.

NOTE: Use of a commercial degreaser may stain the finish on the engine. Instead, use a mild detergent and water solution.

2. Drain the oil that was in the engine during the storage period. Install a new oil filter and fill the engine with oil as outlined in your owner's manual.
3. Reinstall the battery. Make sure that the vent hose is connected and routed properly. Install the positive terminal before the negative terminal.
4. Lubricate all places as instructed in the lubrication table in the owner's manual.
5. Inflate the tires to the correct pressure.
6. Before starting the engine, remove the four spark plugs and slowly turn the engine over by putting it in 5th gear and turning the rear wheel. Listen for any abnormal noises and check for smooth movement. If you think a problem has occurred, contact your local authorized Suzuki

dealer for assistance. If there are no problems, reinstall the spark plugs and return the transmission in neutral.

7. Do the "Inspections Before Riding" as listed in the owner's manual.

Often times it's easier to let these sort of services be done by your dealer. Most dealers in the areas where motorcycle storage is common are set up to properly prepare motorcycles for storage. Whether you do it yourself, or have your dealer do it, we sincerely hope you follow our suggestions. This is the only way that your GS can serve you in the manner it was designed. If your dealer does the service for you, you should be among the first to be back on the road when winter becomes spring.

CAUTION:
Clean the brake disc with alcohol only. This will ensure positive braking.

SPECIFICATIONS

DIMENSIONS AND DRY MASS

Overall length	2 490 mm (98.0 in)
Overall width	930 mm (36.6 in)
Overall height	1 545 mm (60.8 in)
Wheelbase	1 495 mm (58.9 in)
Ground clearance	145 mm (5.7 in)
Dry mass	290 kg (639 lbs)

ENGINE

Type	Four-stroke, air cooled, DOHC
Number of cylinder	4
Bore	72.0 mm (2.835 in)
Stroke	66.0 mm (2.598 in)
Piston displacement	1 074 cm ³ (65.5 cu. in)
Compression ratio	8.8 : 1
Carburetor	MIKUNI BS34SS, four
Air cleaner	Polyurethane foam element
Starter system	Electric
Lubrication system	Wet sump

TRANSMISSION

Clutch	Wet multi-plate type
Transmission	5-speed constant mesh
Gearshift pattern	1-down, 4-up
Primary reduction	1.775 (87/49)
Final reduction	3.090 (34/11)
Gear ratios, Low	2.500 (35/14)
2nd	1.722 (31/18)
3rd	1.380 (29/21)
4th	1.125 (27/24)
Top	0.961 (25/26)
Drive system	Shaft drive

CHASSIS

Front suspension	Telescopic, pneumatic/coil spring, oil dampened
Rear suspension	Swinging arm, pneumatic/coil spring, oil damper 4-way adjustable
Steering angle	40° (right & left)
Caster	61°95'
Trail	118 mm (4.65 in)
Turning radius	2.6 m (8.5 ft)
Front brake	Disc brake
Rear brake	Disc brake
Front tire size	110/90-19 62H (Tubeless tire)
Rear tyre size	130/90-16 67H (Tubeless tire)

ELECTRICAL

Ignition type.....	Transistorized
Ignition timing	17° B.T.D.C. below 1 500 r/min and 37° B.T.D.C. above 2 350 r/min
Spark plug	NGK B8ES or NIPPON DENSO W24ES-U
Battery.....	12V 50.4kC (14Ah)/10 HR
Generator	Three-phase A.C. Generator
Fuse	10/10/10/10/15A
Headlight.....	12V 60/55W
Tail/Brake light	12V 8/23W (3/32 cp)
Turn signal/Running light	12V 23/8W (32/3 cp)
Licence plate light	12V 8W
Speedometer light.....	12V 3.4W
Tachometer/Fuel meter light ..	12V 3.4W
Neutral indicator light.....	12V 3.4W
High beam indicator light	12V 3.4W
Turn signal indicator light.....	12V 3.4W
Oil pressure indicator light	12V 3.4W
Side stand check light	12V 3.4W
Gear position indicator light ..	14V 1.12W x 5 pcs

CAPACITIES

Fuel tank including reserve....	22 L (5.8 US gal)
reserve.....	4.2 L (4.4 US qt)
Engine oil.....	3.0 L (3.2 US qt)
Front fork oil	363 ml (12.3 US oz)
Secondary bevel gear oil.....	340-400 ml (11.5-13.5 US qt)
Final bevel gear oil	280-330 ml (9.5-11.2 US qt)

WIRE COLOR

B.....Black
Bl.....Blue
G.....Green
Gr.....Gray
Lbl.....Light blue
Lg.....Light green
O.....Orange
R.....Red
W.....White
Y.....Yellow

B/Bl.....Black with Blue tracer
B/R.....Black with Red tracer
B/W.....Black with White tracer
B/Y.....Black with Yellow tracer
Bl/R.....Blue with Red tracer
Br/Y.....Brown with Yellow tracer
G/W.....Green with White tracer
G/Y.....Green with Yellow tracer
Lg/B.....Light green with Black tracer
O/B.....Orange with Black tracer
O/G.....Orange with Green tracer
O/W.....Orange with White tracer
W/G.....White with Green tracer
W/R.....White with Red tracer
Y/B.....Yellow with Black tracer
Y/G.....Yellow with Green tracer
Y/W.....Yellow with White tracer

SUZUKI MOTOR CO.,LTD.

*of
h*

Part No. 99011-49430-03A
February, 1982 ①
Printed in Japan