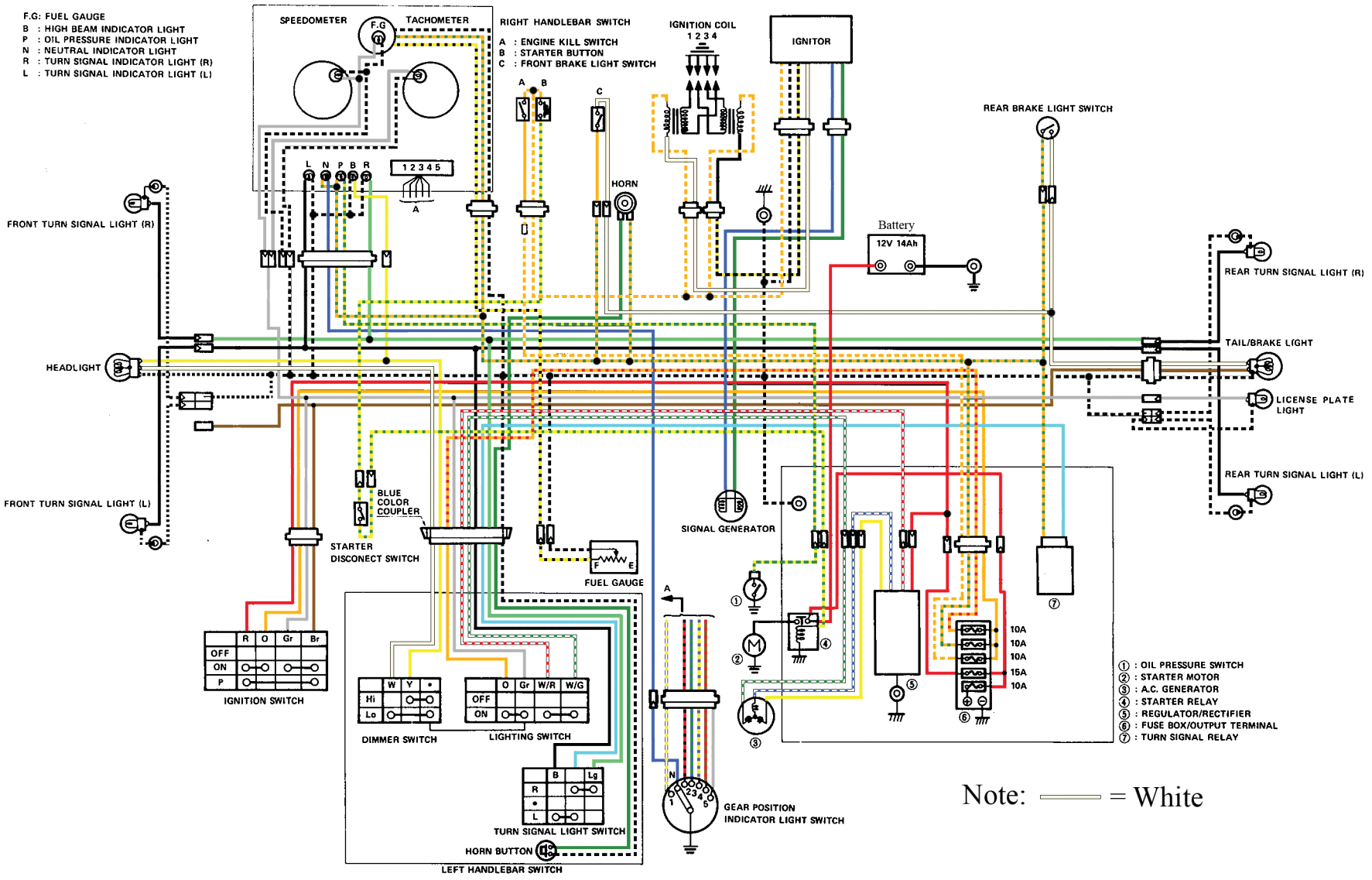


F.G: FUEL GAUGE
 B : HIGH BEAM INDICATOR LIGHT
 P : OIL PRESSURE INDICATOR LIGHT
 N : NEUTRAL INDICATOR LIGHT
 R : TURN SIGNAL INDICATOR LIGHT (R)
 L : TURN SIGNAL INDICATOR LIGHT (L)



- ① : OIL PRESSURE SWITCH
- ② : STARTER MOTOR
- ③ : A.C. GENERATOR
- ④ : STARTER RELAY
- ⑤ : REGULATOR/RECTIFIER
- ⑥ : FUSE BOX/OUTPUT TERMINAL
- ⑦ : TURN SIGNAL RELAY

Note: — = White